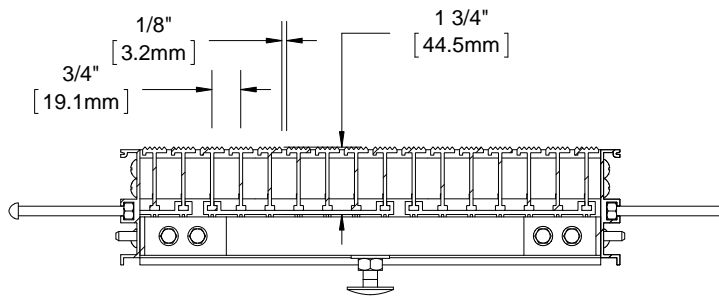
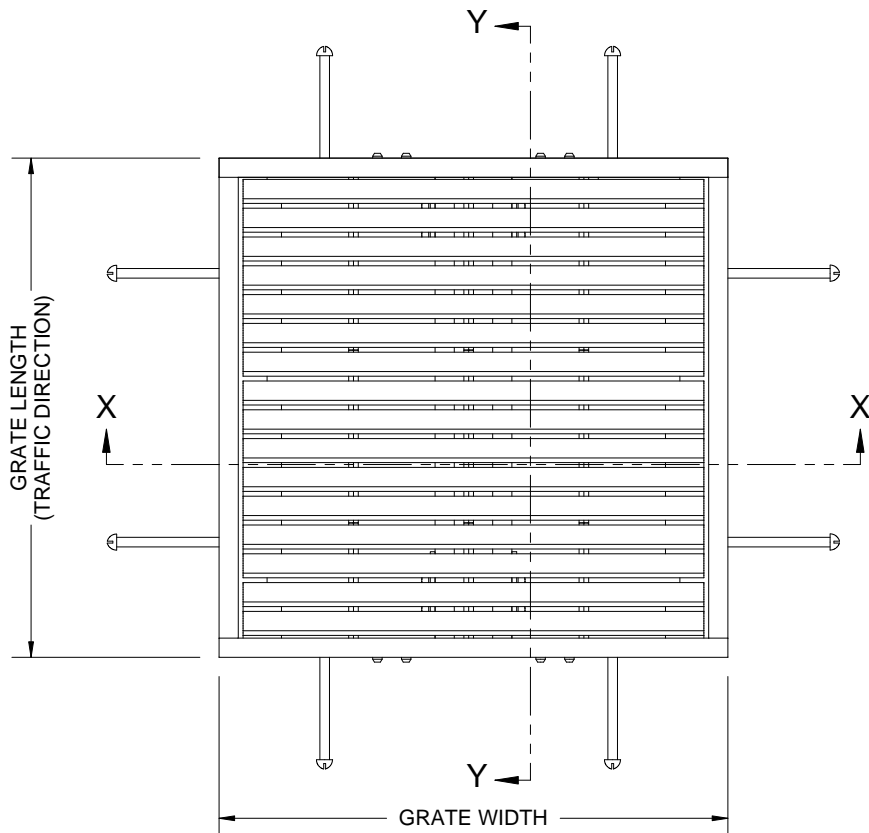


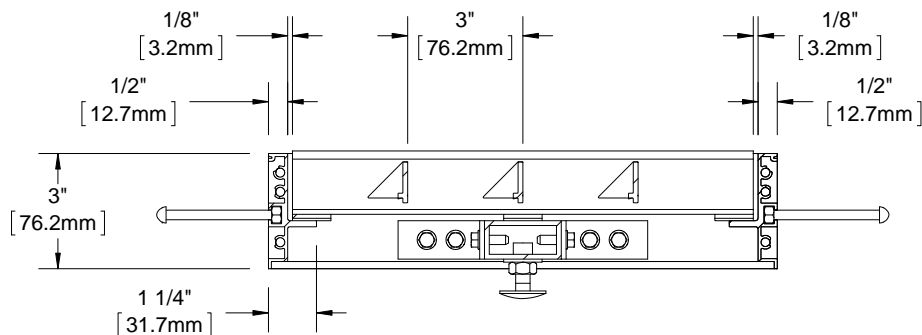


BGD74L
SERRATED
ALUMINUM
THINLINE

| QTY | MODEL | WIDTH | LENGTH | FINISH | LOCATION |
|-----|-------|-------|--------|--------|----------|
| | | | | | |
| | | | | | |
| | | | | | |
| | | | | | |
| | | | | | |
| | | | | | |
| | | | | | |
| | | | | | |
| | | | | | |
| | | | | | |



SECTION Y-Y



SECTION X-X

NOTES:

- STANDARD MAXIMUM SECTION SIZE OF GRATE WIDTH NOT TO EXCEED 8'-0", CUSTOM SECTIONING AVAILABLE
- FRAME ANCHOR SPACING: 6" FROM CORNERS, 24" MAX
- VERIFY TRAFFIC DIRECTION AND THAT SECTIONING DOES NOT OCCUR IN A TRAFFIC LANE
- ALL RAIL COMPONENTS ARE MADE OF 6063-T6 ALUMINUM ALLOY, ALL FRAME COMPONENTS ARE MADE OF 6063-T5 ALUMINUM ALLOY. KEYLOCKS ARE MADE WITH 6061-T6 ALUMINUM ALLOY
- TREAD RAILS MUST RUN PERPENDICULAR TO TRAFFIC DIRECTION
- TRAFFIC DIRECTION DIMENSION CAN ONLY BE CHANGE IN 3/4" (19.1 MM) INCREMENTS UNLESS OPTIONAL ALUMINUM FILLER IS INCLUDED
- GRATE DIMENSION ALLOWS FOR CLEARANCE BETWEEN GRATE SECTIONS AND FRAMES IN THE WIDTH DIMENSION
- ADDITIONAL INFORMATION CAN BE FOUND IN THE PRODUCT SPECIFICATION AND IS CONSIDERED PART OF THIS TRANSMITTAL.
- FRAME MODEL NUMBER: BFD74D3C

| | | | | |
|---|---------|---------|---|--------------|
| PROJECT: | | | | |
| ARCHITECT: | | | | |
| CONTRACTOR: | | | | |
| 9300 73rd Avenue North Brooklyn Park, MN 55428 | | | DESCRIPTION: | |
| | | | GRATEdesign® 1 3/4" Aluminum Grate with Cast-In, Thin Slab, Deep Pit, Aluminum, Frame | |
| NAME | DATE | SIZE | DWG NO. | |
| DKL | 5/12/15 | A | BGD74L-FD3C | |
| RELEASED | PE | 5/12/15 | SCALE: NTS | SHEET 1 OF 1 |
| | | | | REV A |

PROPRIETARY AND CONFIDENTIAL: THE INFORMATION CONTAINED IN THIS DRAWING IS THE SOLE PROPERTY OF BABCOCK-DAVIS. ANY REPRODUCTION IN PART OR AS A WHOLE WITHOUT THE WRITTEN PERMISSION OF BABCOCK-DAVIS IS PROHIBITED.