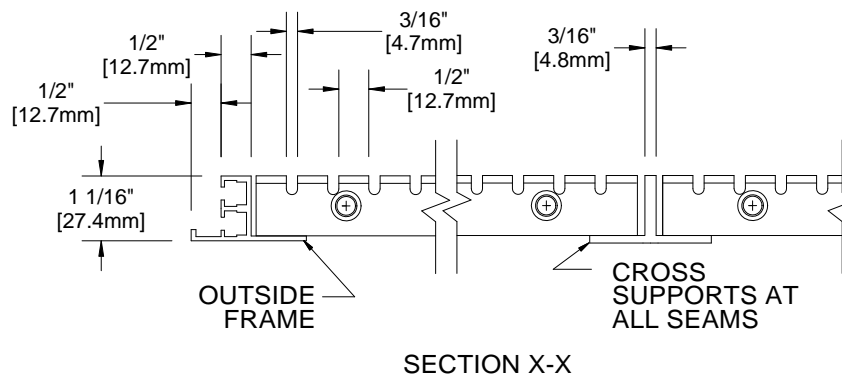
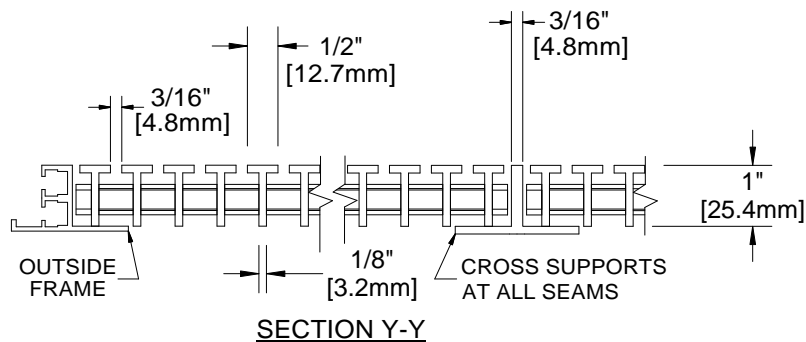
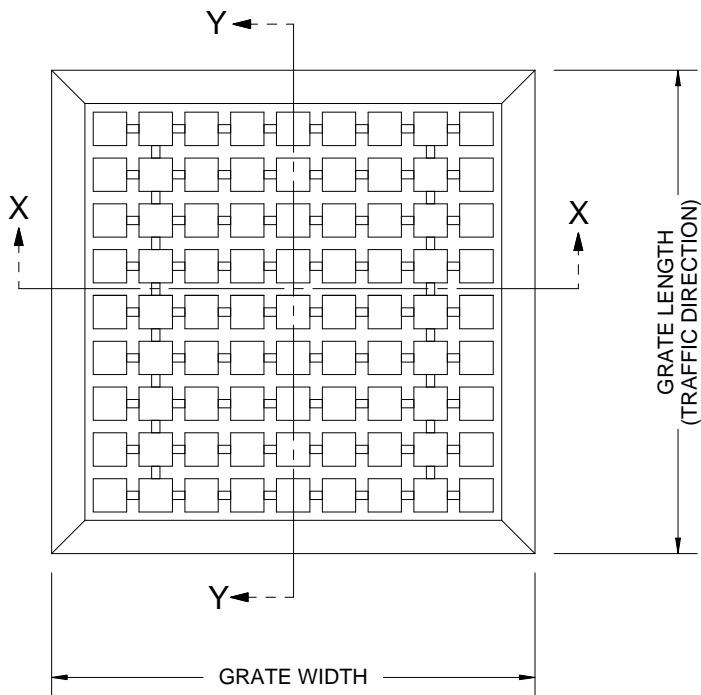


BGA10W

| QTY | MODEL | WIDTH | LENGTH | FINISH | LOCATION |
|-----|-------|-------|--------|--------|----------|
|     |       |       |        |        |          |
|     |       |       |        |        |          |
|     |       |       |        |        |          |
|     |       |       |        |        |          |
|     |       |       |        |        |          |
|     |       |       |        |        |          |
|     |       |       |        |        |          |
|     |       |       |        |        |          |
|     |       |       |        |        |          |
|     |       |       |        |        |          |



- NOTES:
- STANDARD MAXIMUM SECTION SIZE OF GRATE LENGTH/WIDTH NOT TO EXCEED 4'-0"
  - VERIFY TRAFFIC DIRECTION AND THAT SECTIONING DOES NOT OCCUR IN A TRAFFIC LANE
  - ALL RAIL COMPONENTS ARE MADE OF 6061-T6 ALUMINUM ALLOY, ALL FRAME COMPONENTS ARE MADE OF 6061-T6 ALUMINUM ALLOY
  - TREAD RAILS MUST RUN PERPENDICULAR TO TRAFFIC DIRECTION
  - GRATE DIMENSION ALLOWS FOR CLEARANCE BETWEEN GRATE SECTIONS AND FRAMES, 1/8" ±1/16" ALL AROUND
  - ADDITIONAL INFORMATION CAN BE FOUND IN THE PRODUCT SPECIFICATION AND IS CONSIDERED PART OF THIS TRANSMITTAL.
  - FRAME PART NUMBER: BFA10LBC

|   |         |  |              |
|---|---------|--|--------------|
| PROJECT:  |         |  |              |
| ARCHITECT:  |         |  |              |
| CONTRACTOR:   |         |  |              |
| <br>9300 73rd Avenue North<br>Brooklyn Park, MN 55428 |         | DESCRIPTION:   |              |
|   |         | Alumagril™, 1" Aluminum Waffle<br>Grate with Level Bed, Cast-In,<br>Aluminum Frame |              |
| NAME  | DATE    | SIZE   | DWG. NO.     |
| DRAWN: DKL  | 4/13/15 | A  | BGA10W-FLBC  |
| RELEASED: PE  | 4/13/15 | SCALE: NTS   | SHEET 1 OF 1 |
|   |         |  | REV A        |

PROPRIETARY AND CONFIDENTIAL: THE INFORMATION CONTAINED IN THIS DRAWING IS THE SOLE PROPERTY OF BABCOCK-DAVIS. ANY REPRODUCTION IN PART OR AS A WHOLE WITHOUT THE WRITTEN PERMISSION OF BABCOCK-DAVIS IS PROHIBITED.