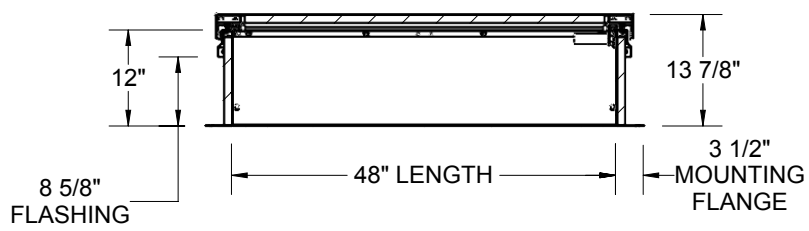
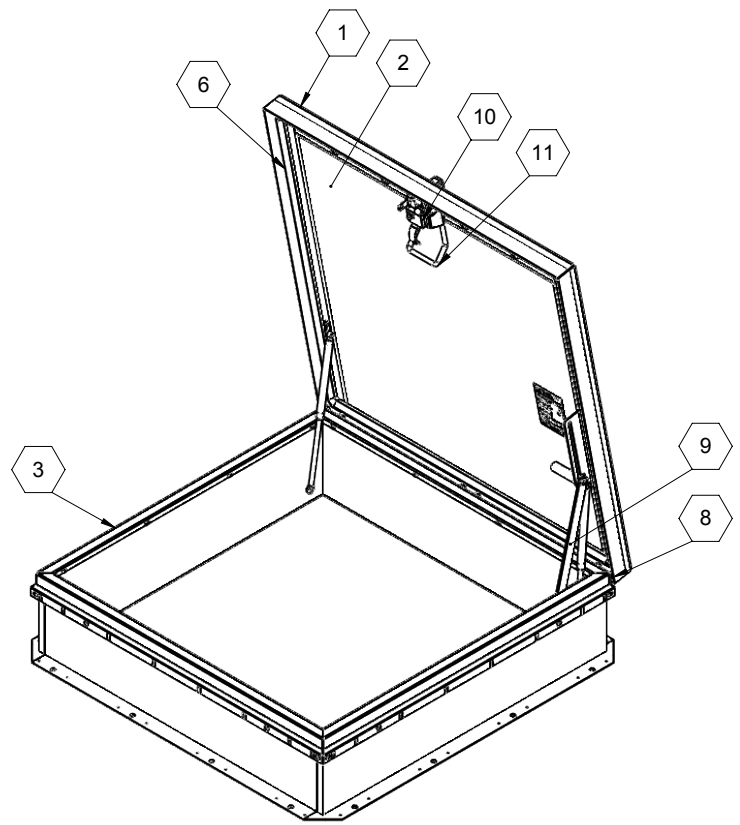


SECTION A-A



SECTION B-B



SPECIFICATIONS:

- ① **COVER:**
14 GA GALV STEEL, STIFFENED TO WITHSTAND A LIVE LOAD OF 40PSF WITH A MAX DEFLECTION OF 1/150 OF THE SPAN.
- ② **LINER:** 22 GA GALV STEEL
- ③ **CURB:** 14 GA GALV STEEL, CURB COUNTERFLASH WITH EZ TABS.
- ④ **FINISH:** RED OXIDE PWD
- ⑤ **INSULATION:** 1" POLYISO R-6 (5.6 LTTR) IN CURB,
1" POLYSTYRENE R-4 (3.8 LTTR) IN COVER.
- ⑥ **GASKET:**
EXTRUDED EPDM RUBBER ADHESIVE BACKED GASKET SEAL CONTINUOUS AROUND COVER.
- ⑦ **SPRING:**
GAS SPRING WITH DAMPER FOR SMOOTH, CONTROLLED, COUNTERBALANCED LIFT ASSISTANCE.
- ⑧ **HINGE:** PINTLE HINGE WITH STAINLESS STEEL HINGE PINS.
- ⑨ **HOLD OPEN ARM:**
ZINC PLATED STEEL AUTOMATIC HOLD OPEN ARM LOCKS COVER IN FULLY OPEN POSITION WITH RED POLUPROPYLENE GRIP HANDLE PULL RELEASE.

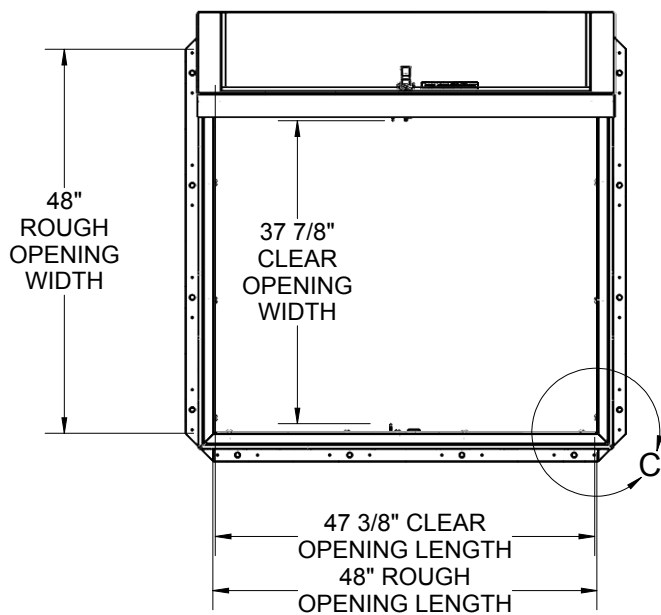
- ⑩ **LATCH:**
ZINC PLATED STEEL SLAM LATCH, HOLDS COVERS CLOSED AGAINST 20PSF WIND UPLIFT, INTERIOR AND EXTERIOR HANDLES WITH PADLOCK HASPS.
- ⑪ **PULL HANDLE:**
INTERIOR PULL DOWN HANDLE, SAFETY YELLOW POWDER COAT.

NOTES:
 -WHEN INSTALLING ON A PITCHED ROOF UP TO 7:12, THE HINGE SIDE(LENGTH)MUST BE PARALLEL TO THE SLOPE.
 - WIDTH X LENGTH DIMENSIONS ARE MEASURED INSIDE CURB TO INSIDE CURB. THE WIDTH IS HINGE TO LATCH AND LENGTH IS HINGED SIDE.

ROOF HATCH SIZE 48" (WIDTH) x 48" (LENGTH)
CLEAR OPENING 37.88(WIDTH) x 47.38 (LENGTH)
ROUGH OPENING 48" (WIDTH) x 48" (LENGTH)

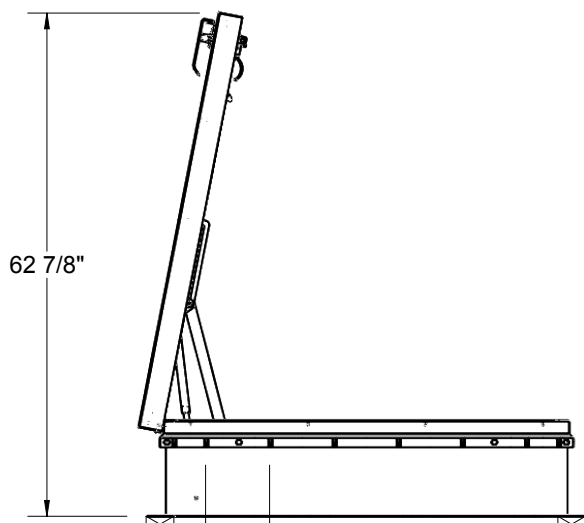
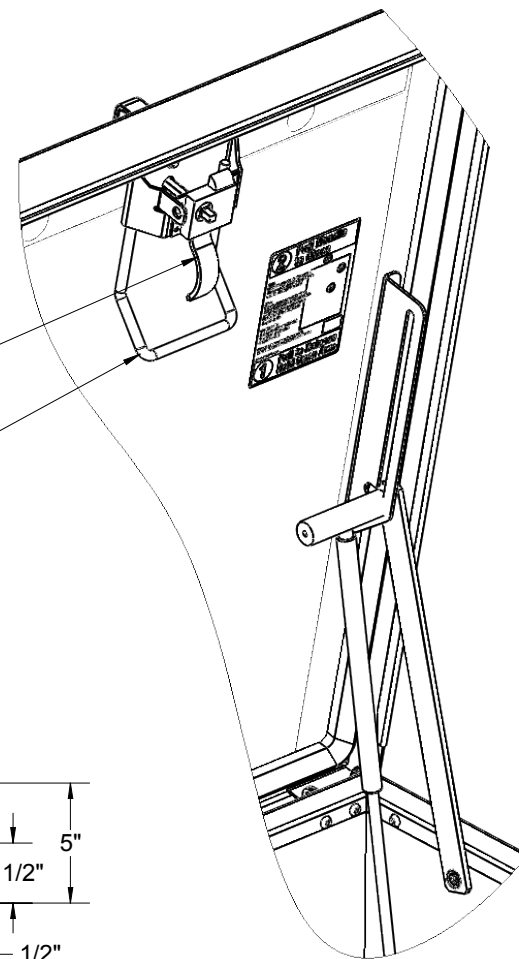
PROPRIETARY AND CONFIDENTIAL: THE INFORMATION CONTAINED IN THIS DRAWING IS THE SOLE PROPERTY OF BABCOCK-DAVIS. ANY REPRODUCTION IN PART OR AS A WHOLE WITHOUT THE WRITTEN PERMISSION OF BABCOCK-DAVIS IS PROHIBITED.

PROJECT:			
ARCHITECT:			
CONTRACTOR:			
QTY:			
PART#:		BG4848	
		TITLE:	
		BRHUG48X48S1T Roof Hatch, Personnel, 48x48, S Dr, Zinc Hdw, Galv, Red Oxide Pwd, Sngl Wall Curb	
NAME	DATE	SIZE	DWG. NO.
DRAWN	DWO	2/28/19	A
RELEASED	DWO	2/28/19	Weight: 238.9LBS
			REV
			A
			SHEET 1 OF 2

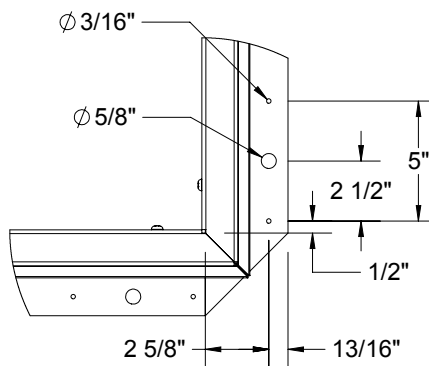


SLAM LATCH

PULL HANDLE



EZ TAB TO SECURE MEMBRANE VARIES 5"-8"



DETAIL C SCALE 1 : 8

WOOD, CONCRETE, OTHER MATERIAL FOR MOUNTING BY OTHERS (NIC)



9300 73rd Avenue North
Brooklyn Park, MN 55428

TITLE: BRHUG48X48S1T
Roof Hatch, Personnel,
48x48, S Dr, Zinc Hdw, Galv, Red Oxide Pwd,
Sngl Wall Curb

	NAME	DATE	SIZE	DWG. NO.	REV
DRAWN	DWO	2/28/19	A	Babcock RH BG4848 ShpDr	A
RELEASED	DWO	2/28/19		WEIGHT: 238.9LBS	SHEET 2 OF 2