

**SPECIFICATIONS:**

- ① **DOOR:** ALUMINUM, 1/4" SMOOTH PLATE, RECESSED, MILL FINISH WITH A LIVE LOAD OF 300 PSF WITH A MAXIMUM DEFLECTION OF L/160
- ② **FRAME:** ALUMINUM, 1/4" EXTRUSION, RECESSED, EPOXY PAINT FINISH ON EXTERIOR SURFACES THAT COME IN CONTACT WITH CONCRETE
- ③ **HINGES:** TYPE 316 STAINLESS STEEL
- ④ **SLAM LATCH:** TYPE 316 STAINLESS STEEL WITH INSIDE LEVER HANDLE AND OUTSIDE REMOVABLE 5/16" SQUARE L HANDLE
- ⑤ **COUNTER-BALANCE SPRING:** TYPE 17-7 STAINLESS STEEL SPRING ENCLOSED IN A TYPE 316 STAINLESS STEEL TELESCOPING TUBE
- ⑥ **HOLD-OPEN ARM:** TYPE 316 STAINLESS STEEL WITH RED VINYL GRIP HANDLE
- ⑦ **ANCHOR:** 4" CONCRETE ANCHOR STRAPS PROVIDED


⑧ **TILE EXTRUSION:** ALUMINUM, RECESSED FOR 1/8" FLOOR COVERING

**FLOOR DOOR SIZE:**  
" (WIDTH) x " (LENGTH)

**CLEAR UNOBSTRUCTED OPENING:**  
" (WIDTH) x " (LENGTH)

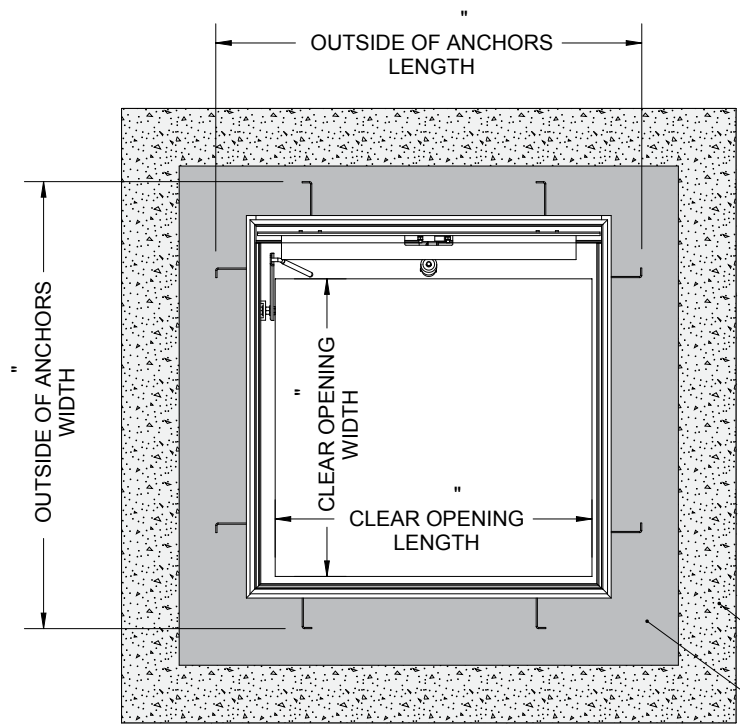
**OPENING:**  
" (WIDTH) x " (LENGTH)

PROPRIETARY AND CONFIDENTIAL: THE INFORMATION CONTAINED IN THIS DRAWING IS THE SOLE PROPERTY OF BABCOCK DAVIS. ANY REPRODUCTION IN PART OR AS A WHOLE WITHOUT THE WRITTEN PERMISSION OF BABCOCK DAVIS IS PROHIBITED. THIS IS A GENERIC SHOP DRAWING AND MAY NOT BE AN ACTUAL REPRESENTATION OF THE FINAL PRODUCT.

PROJECT:				
ARCHITECT:				
CONTRACTOR:				
QTY:				
PART#:		<b>BFDRPA X SAL</b>		
 9300 73rd Avenue North Brooklyn Park, MN 55428		TITLE: Floor Door, Recessed Series, Sngl Dr, 316 SST Hdw, Alum, Mill, Pedestrian, Cast-In Anchors, Slam Latch Removbl L Hdl		
NAME	DATE	SIZE	DWG. NO.	REV
DRAWN JE	04/18/11	A	BFDRPA_X_SAL	A
RELEASED DWO	04/18/11	WEIGHT: Varies		SHEET 1 OF 2

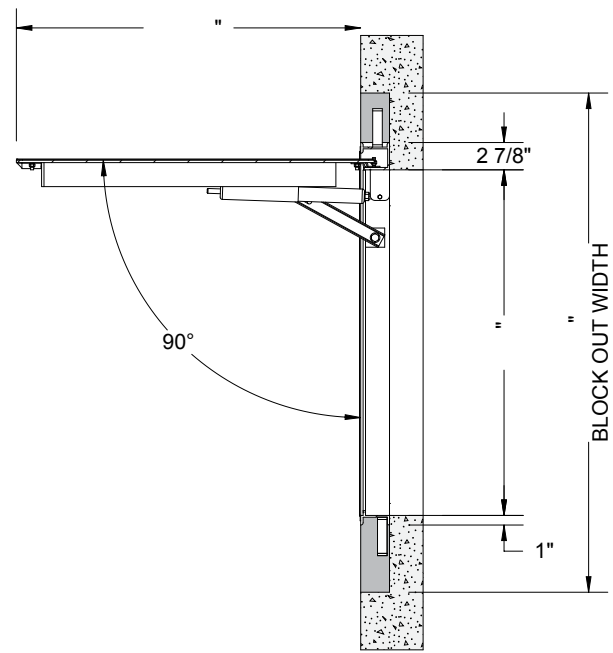
B

B



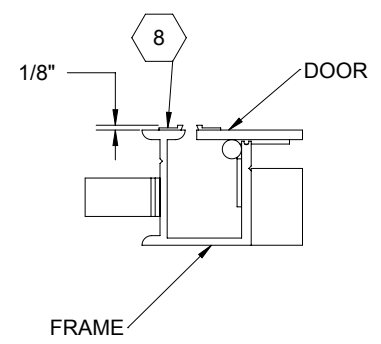
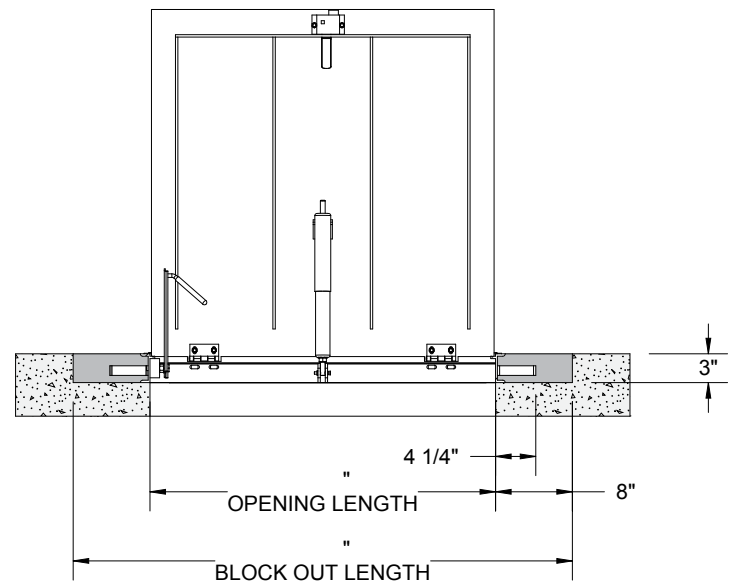
CONCRETE

BACK POUR AREA

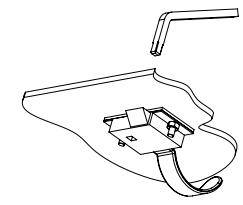


A

A



TILE EXTRUSION DETAIL



SLAM LATCH DETAIL

				<b>TITLE:</b> Floor Door, Recessed Series, Sngl Dr, 316 SST Hdw, Alum, Mill, Pedestrian, Cast-In Anchors, Slam Latch Removbl L Hdl		
9300 73rd Avenue North Brooklyn Park, MN 55428				<b>DWG. NO.</b> BFD RPA_X_SAL		<b>REV</b> A
<b>DRAWN</b>	JE	04/18/11	SIZE A			
<b>RELEASED</b>	DWO	04/18/11	<b>WEIGHT:</b> Varies			<b>SHEET 2 OF 2</b>

PROPRIETARY AND CONFIDENTIAL: THE INFORMATION CONTAINED IN THIS DRAWING IS THE SOLE PROPERTY OF BABCOCK DAVIS. ANY REPRODUCTION IN PART OR AS A WHOLE WITHOUT THE WRITTEN PERMISSION OF BABCOCK DAVIS IS PROHIBITED. THIS IS A GENERIC SHOP DRAWING AND MAY NOT BE AN ACTUAL REPRESENTATION OF THE FINAL PRODUCT.