

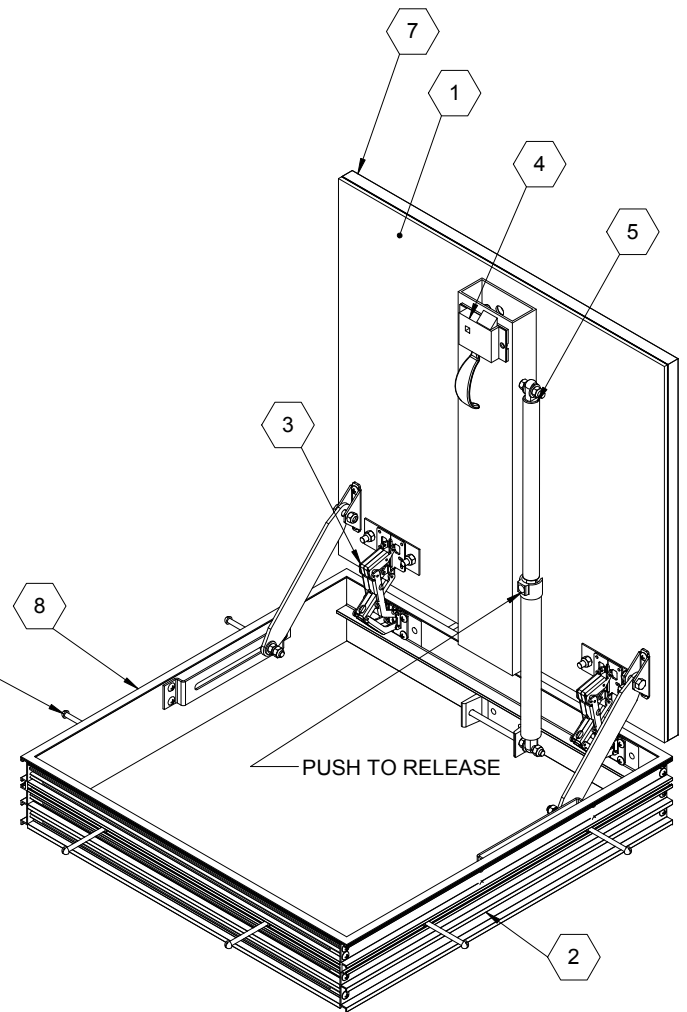
SPECIFICATIONS:

- ① **DOOR:** ALUMINUM, 1/4" SMOOTH PLATE, MILL FINISH WITH A LIVE LOAD OF 300 PSF WITH A MAXIMUM DEFLECTION OF L/160
- ② **FRAME:** ALUMINUM, F-2C EXTRUSION, PRIMER COAT FINISH ON EXTERIOR SURFACES THAT COME IN CONTACT WITH CONCRETE
- ③ **HINGES:** CABINET STYLE LIFT HINGE, SPRING LOADED
- ④ **SLAM LATCH:** TYPE 316 STAINLESS STEEL WITH INSIDE LEVER HANDLE AND OUTSIDE REMOVABLE 5/16" SQUARE L-HANDLE AND PLUG
- ⑤ **COUNTER-BALANCE SPRING:** DAMPENED GAS SPRING WITH INTEGRATED HOLD OPEN MECHANISM
- ⑥ **ANCHOR:** 1/4-20X3LG BOLTS AND NUTS PROVIDED

⑦ **TILE EXTRUSION:** ALUMINUM EXTRUSION RECESSED 3/4" WITH EXPANDED METAL MESH BASE FOR CONCRETE. MESH IS REMOVABLE FOR WOOD OR RUBBER FILL.

⑧ **GASKET:** EPDM, ON FRAME AROUND PERIMETER

FLOOR DOOR SIZE: (WIDTH) x (LENGTH)
CLEAR UNOBSTRUCTED OPENING: (WIDTH) x (LENGTH)
OPENING: (WIDTH) x (LENGTH)



PROPRIETARY AND CONFIDENTIAL: THE INFORMATION CONTAINED IN THIS DRAWING IS THE SOLE PROPERTY OF BABCOCK-DAVIS. ANY REPRODUCTION IN PART OR AS A WHOLE WITHOUT THE WRITTEN PERMISSION OF BABCOCK-DAVIS IS PROHIBITED.

PROJECT:					
ARCHITECT:					
CONTRACTOR:					
QTY:					
PART#:		"			
 9300 73rd Avenue North Brooklyn Park, MN 55428		TITLE: Floor Door, Non-Drainable, 24X24, Sngl Dr, 316 SST Hdw, Alum, Mill, Pedestrian, Cast-In Anchors, Slam Latch Removbl L Hdl, 1" Recessed Pan			
		NAME	DATE	SIZE	DWG. NO.
DRAWN	JPB	2-10-17	A	Babcock FD BFDPPA_X_SAL ShpDr	A
RELEASED	TR	2-10-17	WEIGHT: TBD	SHEET 1 OF 1	