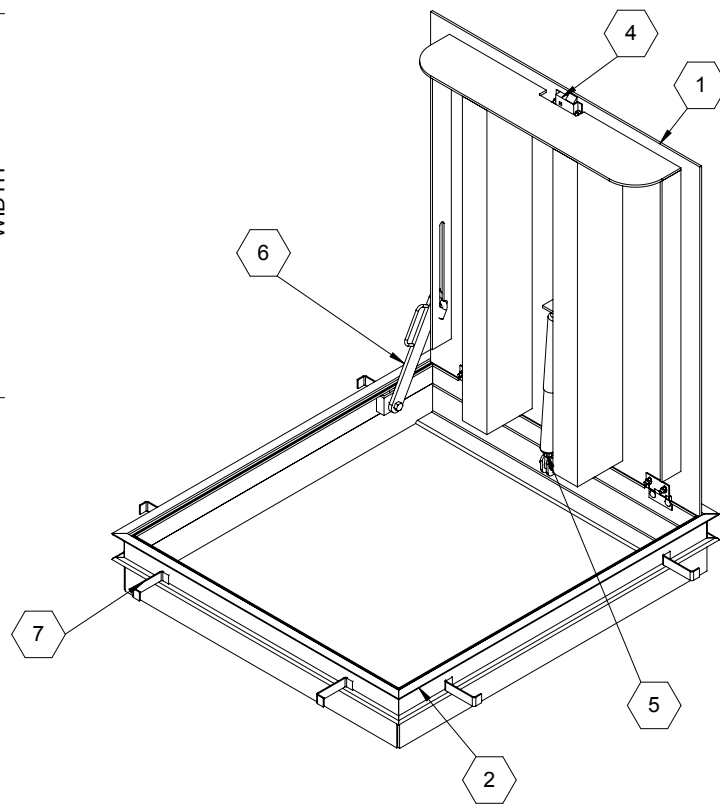


REFERENCE H20 CHANNEL SUPPORT SHELF SHEET 2

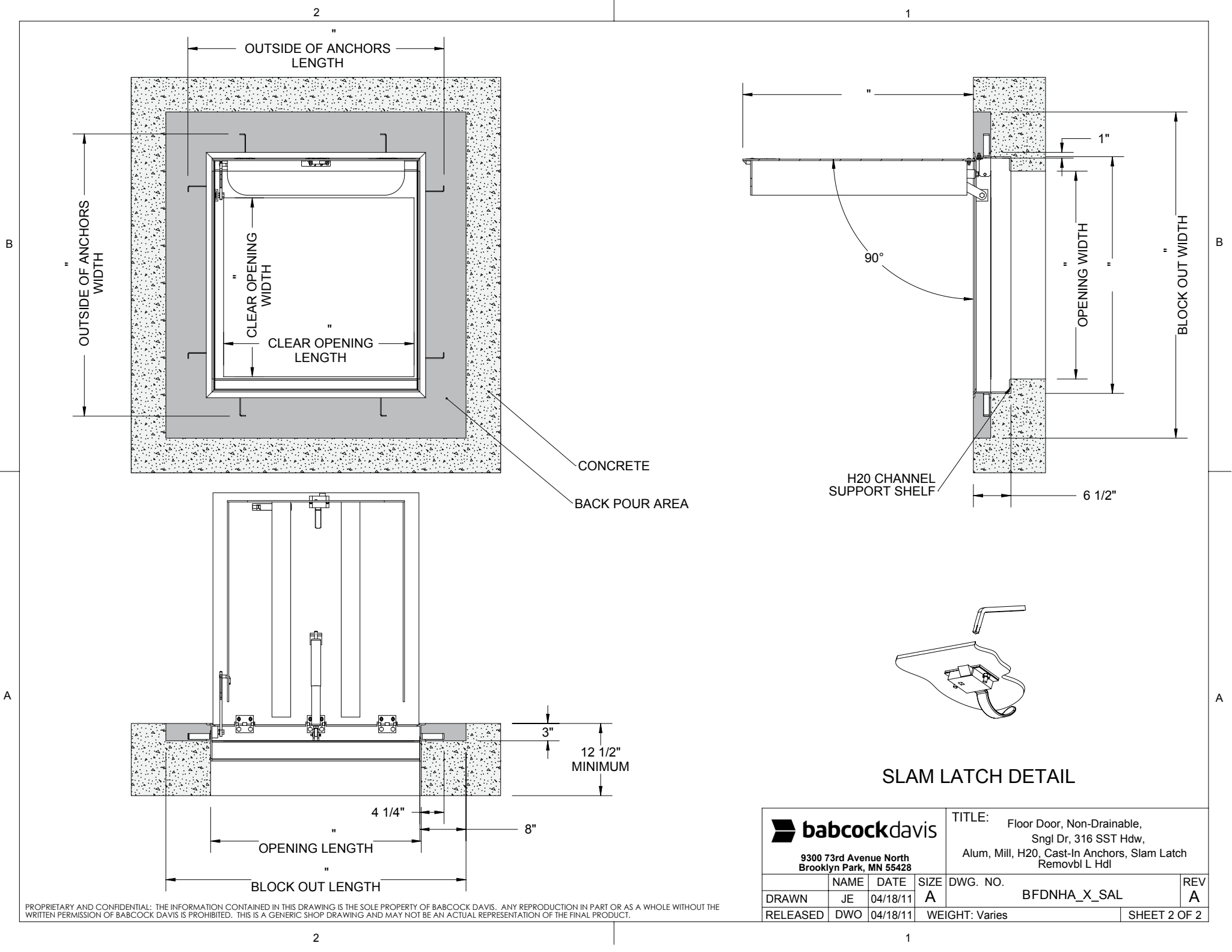


SPECIFICATIONS:

- ① **DOOR:** ALUMINUM, 1/4" DIAMOND PLATE, MILL FINISH WITH A H20 LOAD RATING FOR INFREQUENT LOW SPEED TRAFFIC WITH A MAXIMUM DEFLECTION OF L/160
 - ② **FRAME:** ALUMINUM, 1/4" EXTRUSION, EPOXY PAINT FINISH ON EXTERIOR SURFACES THAT COME IN CONTACT WITH CONCRETE
 - ③ **HINGES:** TYPE 316 STAINLESS STEEL
 - ④ **SLAM LATCH:** TYPE 316 STAINLESS STEEL WITH INSIDE LEVER HANDLE AND OUTSIDE REMOVABLE 5/16" SQUARE L HANDLE
 - ⑤ **COUNTER-BALANCE SPRING:** TYPE 17-7 STAINLESS STEEL SPRING ENCLOSED IN A TYPE 316 STAINLESS STEEL TELESCOPING TUBE
 - ⑥ **HOLD-OPEN ARM:** TYPE 316 STAINLESS STEEL
 - ⑦ **ANCHOR:** 4" CONCRETE ANCHOR STRAPS PROVIDED
 - ⑧ **FLUSH LIFTING HANDLE:** TYPE 316 STAINLESS STEEL
- FLOOR DOOR SIZE:** " (WIDTH) x " (LENGTH)
CLEAR UNOBSTRUCTED OPENING: " (WIDTH) x " (LENGTH)
OPENING: " (WIDTH) x " (LENGTH)

PROPRIETARY AND CONFIDENTIAL; THE INFORMATION CONTAINED IN THIS DRAWING IS THE SOLE PROPERTY OF BABCOCK DAVIS. ANY REPRODUCTION IN PART OR AS A WHOLE WITHOUT THE WRITTEN PERMISSION OF BABCOCK DAVIS IS PROHIBITED. THIS IS A GENERIC SHOP DRAWING AND MAY NOT BE AN ACTUAL REPRESENTATION OF THE FINAL PRODUCT.

PROJECT:			
ARCHITECT:			
CONTRACTOR:			
QTY:			
PART#:		BFDNHA X SAL	
 9300 73rd Avenue North Brooklyn Park, MN 55428		TITLE: Floor Door, Non-Drainable, Sngl Dr, 316 SST Hdw, Alum, Mill, H20, Cast-In Anchors, Slam Latch Removbl L Hdl	
NAME	DATE	SIZE	DWG. NO.
JE	04/18/11	A	BFDNHA_X_SAL
RELEASED	DWO	04/18/11	WEIGHT: Varies
			REV A
			SHEET 1 OF 2



SLAM LATCH DETAIL

		TITLE: Floor Door, Non-Drainable, Sngl Dr, 316 SST Hdw, Alum, Mill, H2O, Cast-In Anchors, Slam Latch Removbl L Hdl			
9300 73rd Avenue North Brooklyn Park, MN 55428					
DRAWN JE	DATE 04/18/11	SIZE A	DWG. NO. BFDNHA_X_SAL	REV A	
RELEASED DWO	DATE 04/18/11	WEIGHT: Varies	SHEET 2 OF 2		

PROPRIETARY AND CONFIDENTIAL; THE INFORMATION CONTAINED IN THIS DRAWING IS THE SOLE PROPERTY OF BABCOCK DAVIS. ANY REPRODUCTION IN PART OR AS A WHOLE WITHOUT THE WRITTEN PERMISSION OF BABCOCK DAVIS IS PROHIBITED. THIS IS A GENERIC SHOP DRAWING AND MAY NOT BE AN ACTUAL REPRESENTATION OF THE FINAL PRODUCT.