

**SPECIFICATIONS:**

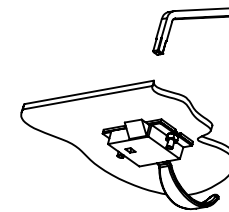
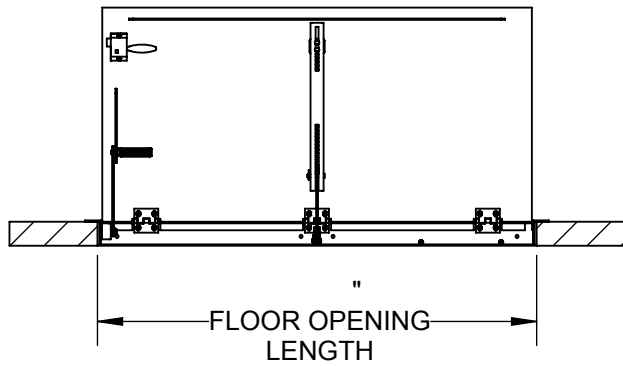
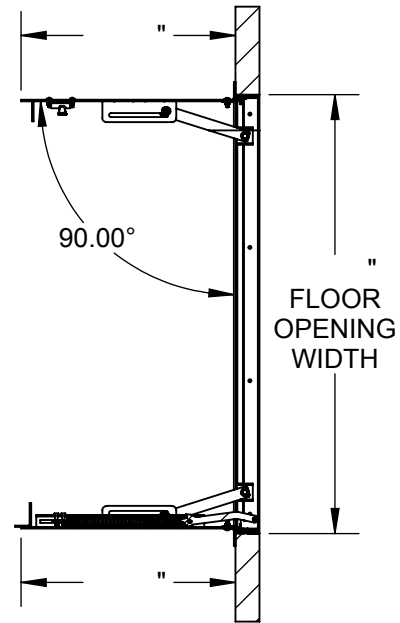
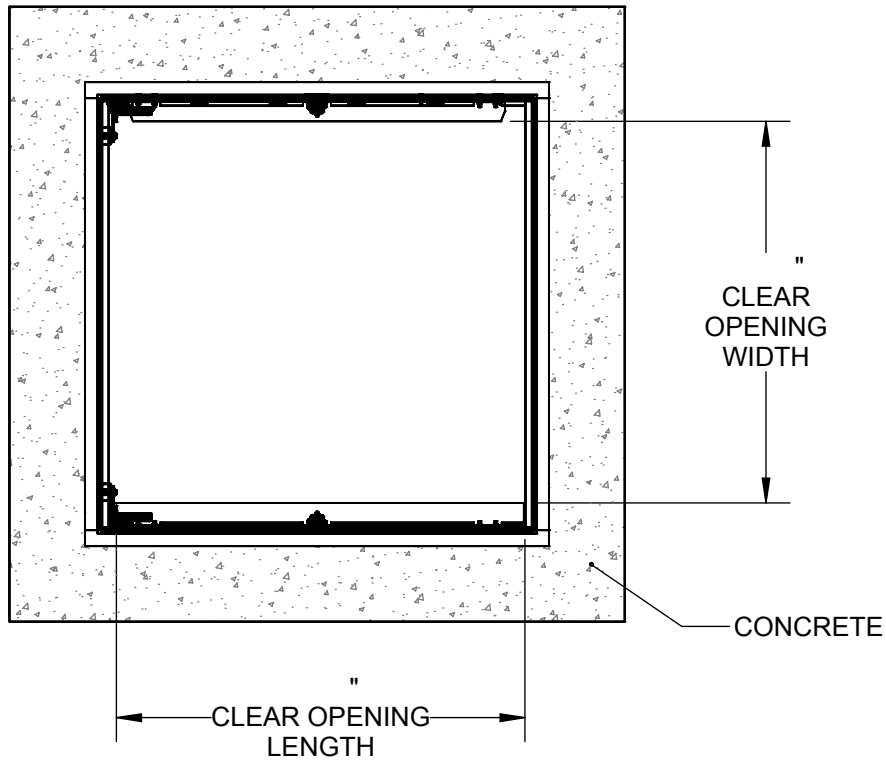
- ① **DOOR:**  
304 SST, 3/16" DIAMOND PLATE, BEAD BLAST FINISH WITH A LIVE LOAD OF 300 PSF WITH A MAX SPAN DEFLECTION OF 1/150
- ② **FRAME:**  
304 SST, 2"x3"x3/16" ANGLE, BEAD BLAST FINISH
- ③ **HINGES:** TYPE 316 STAINLESS STEEL
- ④ **SLAM LATCH:**  
TYPE 316 STAINLESS STEEL WITH INSIDE LEVER HANDLE AND OUTSIDE REMOVABLE HANDLE
- ⑤ **COUNTER-BALANCE SPRING:**  
ENCLOSED, TYPE 17-7 SST SPRING
- ⑥ **HOLD-OPEN ARM:**  
TYPE 316 STAINLESS STEEL WITH RED VINYL GRIP HANDLE

⑦ **ANCHOR:** 3/8" HOLES PROVIDED FOR BOLT IN ON SITE, ANCHORS PROVIDED BY OTHERS

FLOOR DOOR SIZE:

PROPRIETARY AND CONFIDENTIAL: THE INFORMATION CONTAINED IN THIS DRAWING IS THE SOLE PROPERTY OF BABCOCK-DAVIS. ANY REPRODUCTION IN PART OR AS A WHOLE WITHOUT THE WRITTEN PERMISSION OF BABCOCK-DAVIS IS PROHIBITED.

PROJECT:				
ARCHITECT:				
CONTRACTOR:				
QTY:				
PART#:				
 9300 73rd Avenue North, Brooklyn Park, MN 55428		TITLE:		
		Floor Door, Existing Opening, Dbl Dr, 316 SST Hdw, 304 SST, Bead Blast, Pedestrian, Bolt-In, Slam Latch, Removable L Hdl		
NAME	DATE	SIZE	DWG. NO.	REV
DRAWN	BES	12/4/2018	A	Babcock FD BFDEPS_X_DDL ShpDr
RELEASED	BES	12/4/2018	WEIGHT:	SHEET 1 OF 2



**SLAM LATCH DETAIL**

			<b>TITLE:</b> Floor Door, Existing Opening, Dbl Dr, 316 SST Hdw, 304 SST, Bead Blast, Pedestrian, Bolt-In, Slam Latch, Removable L Hdl		
9300 73rd Avenue North Brooklyn Park, MN 55428			<b>REV</b> A		
<b>DRAWN</b>	BES	12/4/2018	<b>SIZE</b>	<b>DWG. NO.</b> Babcock FD BFDEPS_X_DDL ShpDr	
<b>RELEASED</b>	BES	12/4/2018	<b>WEIGHT:</b>	<b>SHEET 2 OF 2</b>	