

**SPECIFICATIONS:**


- ① **DOOR:** STEEL, 3/16" DIAMOND PLATE, GRAY PRIMER COAT WITH A LIVE LOAD OF 300 PSF WITH A MAXIMUM DEFLECTION OF L/160
- ② **FRAME:** STEEL, 3/16" ANGLE, GRAY PRIMER COAT
- ③ **HINGES:** TYPE 316 STAINLESS STEEL
- ④ **SLAM LATCH:** TYPE 316 STAINLESS STEEL WITH INSIDE LEVER HANDLE AND OUTSIDE REMOVABLE 5/16" SQUARE L HANDLE
- ⑤ **COUNTER-BALANCE SPRING:** TYPE 17-7 STAINLESS STEEL SPRING ENCLOSED IN A TYPE 316 STAINLESS STEEL TELESCOPING TUBE
- ⑥ **HOLD-OPEN ARM:** TYPE 316 STAINLESS STEEL WITH RED VINYL GRIP HANDLE
- ⑦ **ANCHOR:** 4" CONCRETE ANCHOR STRAPS PROVIDED
- ⑧ **FLUSH LIFTING HANDLE:** TYPE 316 STAINLESS STEEL

**FLOOR DOOR SIZE:**  
" (WIDTH) x " (LENGTH)

**CLEAR UNOBSTRUCTED OPENING:**  
" (WIDTH) x " (LENGTH)

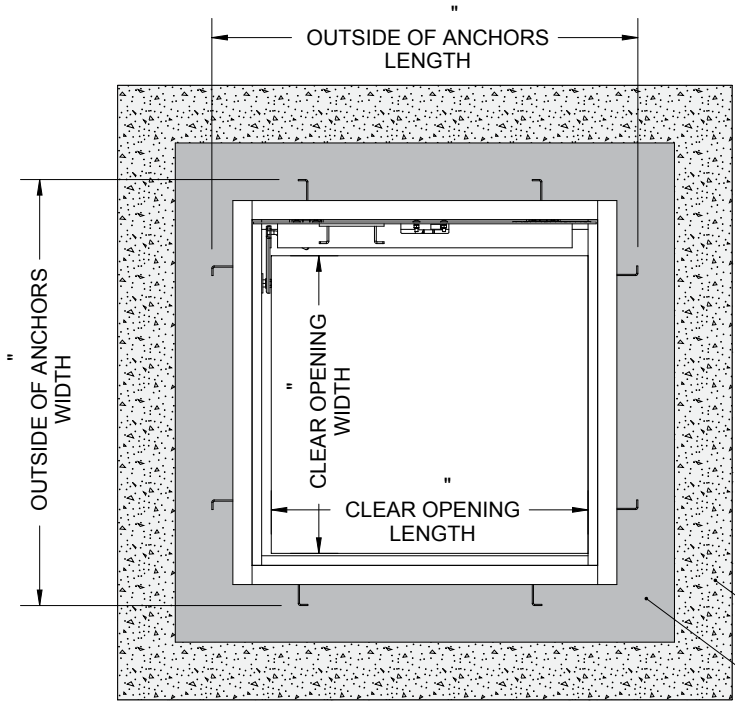
**OPENING:**  
" (WIDTH) x " (LENGTH)

PROPRIETARY AND CONFIDENTIAL: THE INFORMATION CONTAINED IN THIS DRAWING IS THE SOLE PROPERTY OF BABCOCK DAVIS. ANY REPRODUCTION IN PART OR AS A WHOLE WITHOUT THE WRITTEN PERMISSION OF BABCOCK DAVIS IS PROHIBITED. THIS IS A GENERIC SHOP DRAWING AND MAY NOT BE AN ACTUAL REPRESENTATION OF THE FINAL PRODUCT.

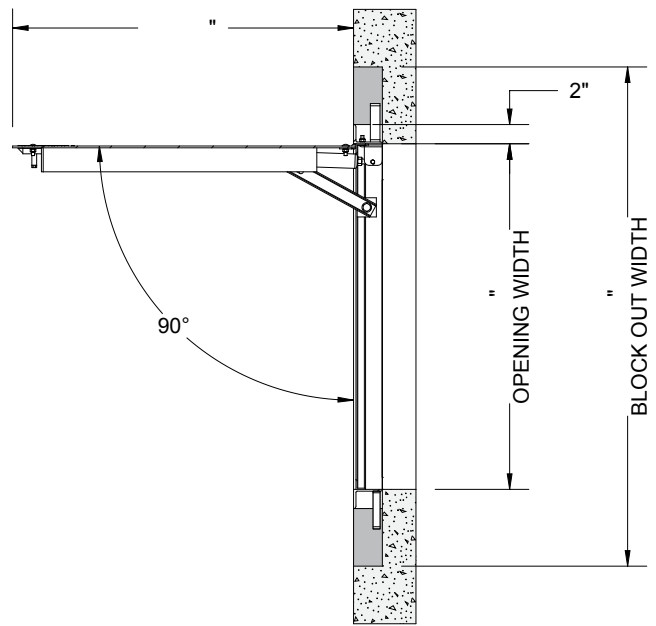
PROJECT:				
ARCHITECT:				
CONTRACTOR:				
QTY:				
PART#:		<b>BFDEPP X SAL</b>		
 9300 73rd Avenue North Brooklyn Park, MN 55428		TITLE: Floor Door, Non-Drainable, Sngl Dr, 316 SST Hdw, Steel, Prime Coat, Pedestrian, Cast-In Anchors, Slam Latch Removbl L Hdl		
NAME	DATE	SIZE	DWG. NO.	REV
DRAWN JE	04/18/11	A	BFDEPP_X_SAL	A
RELEASED DWO	04/18/11	WEIGHT: Varies		SHEET 1 OF 2

B

B

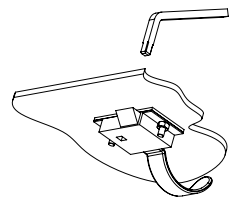
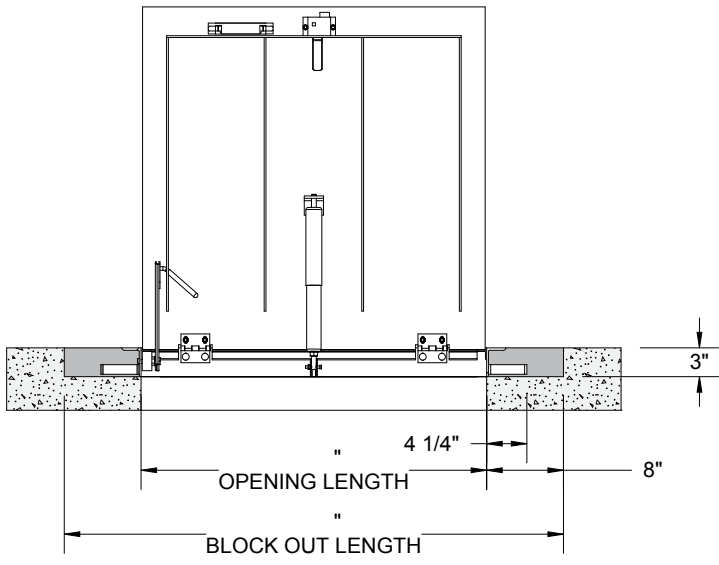


CONCRETE  
BACK POUR AREA



A

A



SLAM LATCH DETAIL

			TITLE: Floor Door, Existing Opening, Sngl Dr, 316 SST Hdw, Steel, Prime Coat, Pedestrian, Cast-In Anchors, Slam Latch Removbl L Hdl		
9300 73rd Avenue North Brooklyn Park, MN 55428			DWG. NO.	BFDEPP_X_SAL	
DRAWN	JE	04/18/11	SIZE	A	
RELEASED	DWO	04/18/11	WEIGHT:	Varies	
				SHEET 2 OF 2	

PROPRIETARY AND CONFIDENTIAL; THE INFORMATION CONTAINED IN THIS DRAWING IS THE SOLE PROPERTY OF BABCOCK DAVIS. ANY REPRODUCTION IN PART OR AS A WHOLE WITHOUT THE WRITTEN PERMISSION OF BABCOCK DAVIS IS PROHIBITED. THIS IS A GENERIC SHOP DRAWING AND MAY NOT BE AN ACTUAL REPRESENTATION OF THE FINAL PRODUCT.