


SPECIFICATIONS:

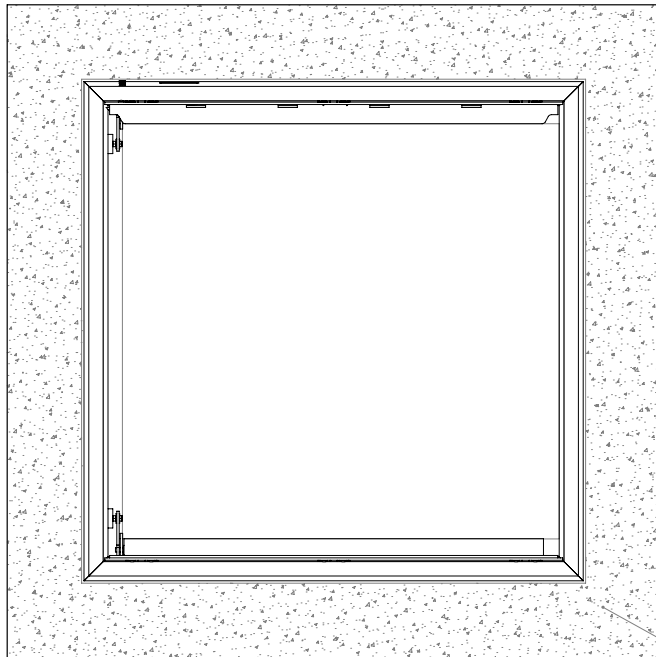
- ① **DOOR:** ALUMINUM, 1/4" DIAMOND PLATE, MILL FINISH WITH A LIVE LOAD OF 300 PSF WITH A MAXIMUM DEFLECTION OF L/150
- ② **FRAME:** ALUMINUM, 1/4" EXTRUSION, MILL FINISH
- ③ **HINGES:** TYPE 316 STAINLESS STEEL
- ④ **SLAM LATCH:** TYPE 316 STAINLESS STEEL WITH INSIDE LEVER HANDLE AND OUTSIDE REMOVABLE 5/16" SQUARE L HANDLE
- ⑤ **COUNTER-BALANCE SPRING:** ENCLOSED, TYPE 17-7 SST SPRING
- ⑥ **HOLD-OPEN ARM:** TYPE 316 STAINLESS STEEL WITH RED VINYL GRIP HANDLE
- ⑦ **ANCHOR:** 3/8" HOLES PROVIDED FOR BOLTING IN ON SITE, ANCHORS PROVIDED BY OTHERS
- ⑧ **GASKET:** EPDM

THIS UNIT IS NOT AIR OR WATER TIGHT.

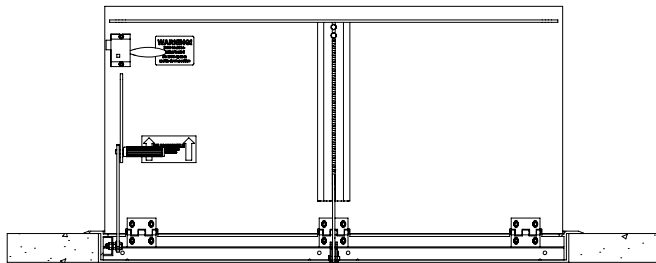
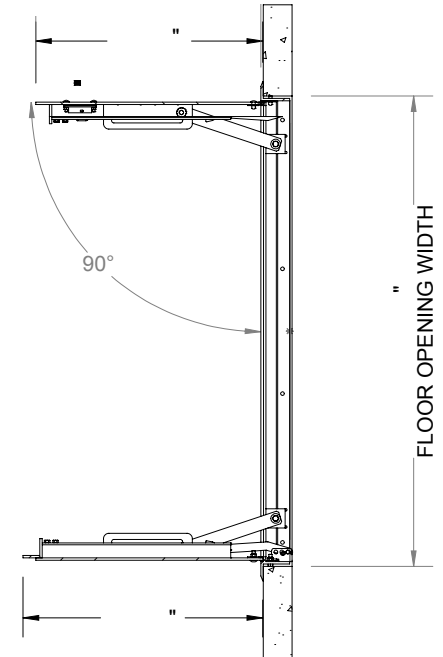
FLOOR DOOR SIZE:

PROPRIETARY AND CONFIDENTIAL: THE INFORMATION CONTAINED IN THIS DRAWING IS THE SOLE PROPERTY OF BABCOCK-DAVIS. ANY REPRODUCTION IN PART OR AS A WHOLE WITHOUT THE WRITTEN PERMISSION OF BABCOCK-DAVIS IS PROHIBITED. THIS SHOP DRAWING MAY NOT BE AN ACTUAL REPRESENTATION OF THE FINAL PRODUCT.

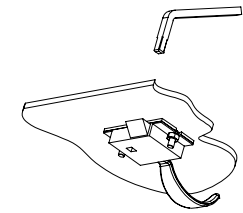
PROJECT:			
ARCHITECT:			
CONTRACTOR:			
QTY:			
PART#:			
		TITLE: Floor Door, Existing Opening, Dbl Dr, 316 SST Hdw, Alum, Mill, Pedestrian, Bolt-In, Slam Latch Removable L Hdl	
		9300 73rd Avenue North Brooklyn Park, MN 55428	
NAME	DATE	SIZE	DWG. NO.
DRAWN JPB	04/27/18	A	Babcock FD BFDEPA_X_DDL ShpDr
RELEASED TR	04/27/18	WEIGHT:	
			REV A
			SHEET 1 OF 2



CONCRETE



FLOOR OPENING LENGTH



SLAM LATCH DETAIL

			TITLE: Floor Door, Existing Opening, Dbl Dr, 316 SST Hdw, Alum, Mill, Pedestrian, Bolt-In, Slam Latch, Removable L Hdl		
9300 73rd Avenue North Brooklyn Park, MN 55428			SIZE A	DWG. NO. Babcock FD BFDEPA_X_DDL ShpDr	REV A
DRAWN JPB	DATE 04/27/18	NAME TR	RELEASED	WEIGHT:	SHEET 2 OF 2

PROPRIETARY AND CONFIDENTIAL: THE INFORMATION CONTAINED IN THIS DRAWING IS THE SOLE PROPERTY OF BABCOCK-DAVIS. ANY REPRODUCTION IN PART OR AS A WHOLE WITHOUT THE WRITTEN PERMISSION OF BABCOCK-DAVIS IS PROHIBITED. THIS SHOP DRAWING MAY NOT BE AN ACTUAL REPRESENTATION OF THE FINAL PRODUCT.