


SPECIFICATIONS:

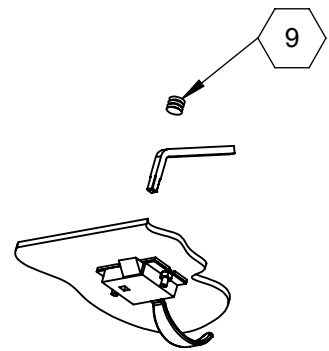
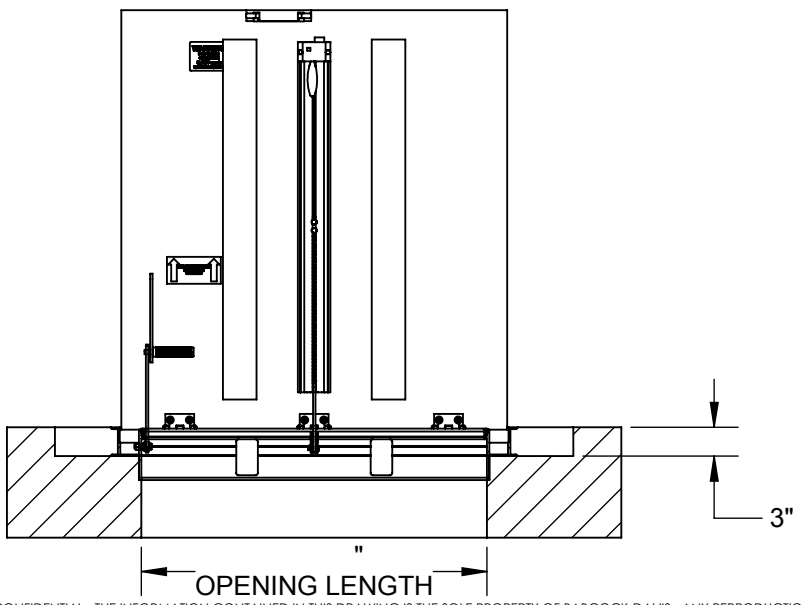
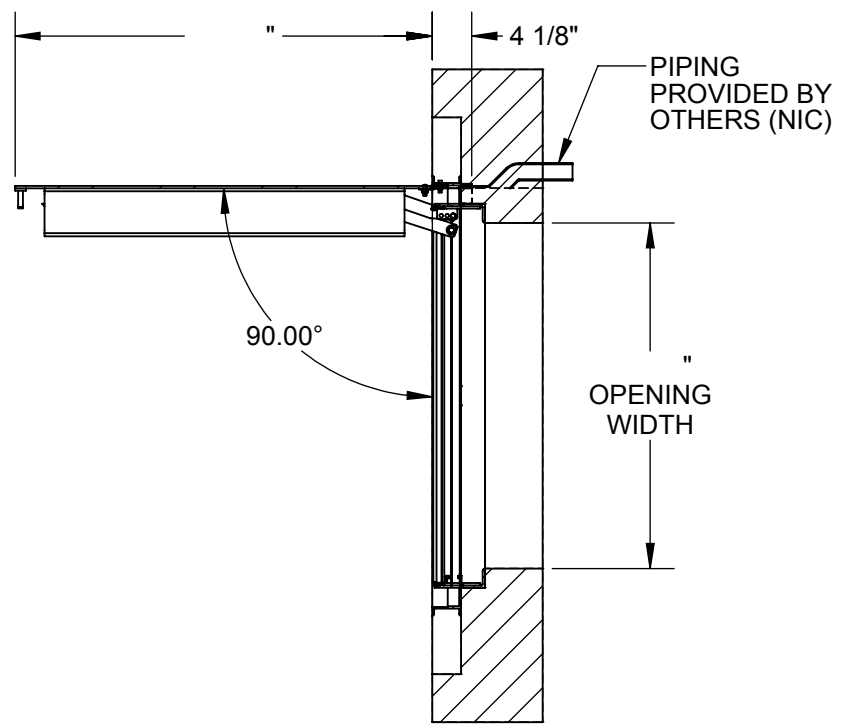
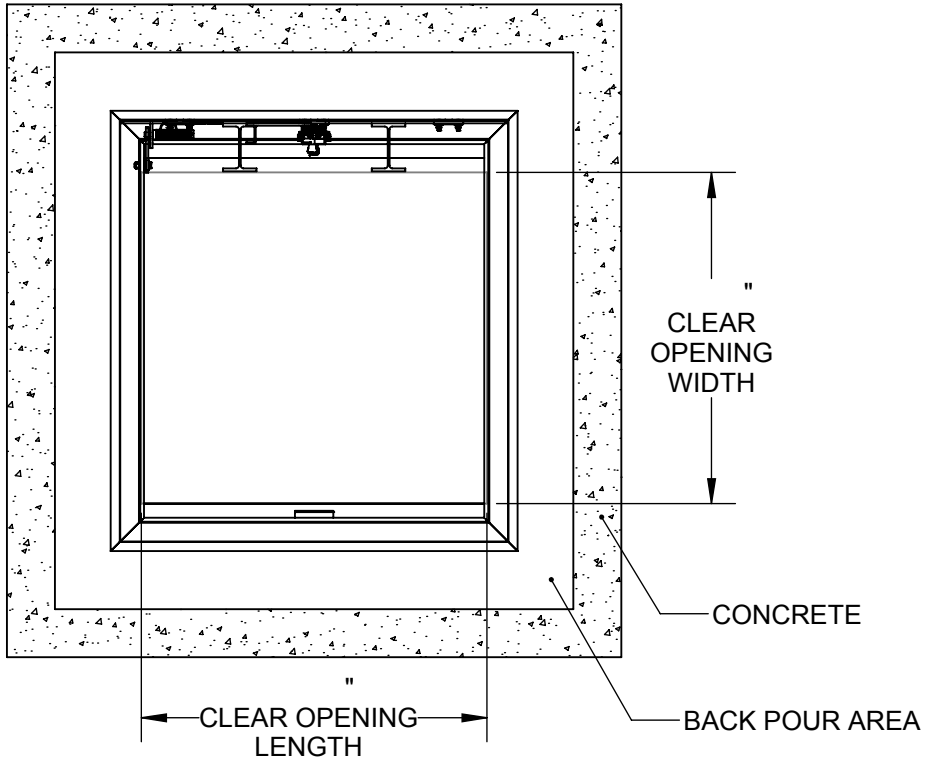
- ① **DOOR:**
ALUMINUM 1/4" DIAMOND PLATE, MILL FINISH WITH AN HS20 LOAD RATING FOR INFREQUENT LOW SPEED TRAFFIC WITH A MAX SPAN DEFLECTION OF 1/150
- ② **FRAME:**
ALUMINUM, 1/4" EXTRUSION, GRAY PRIMER FINISH ON EXTERIOR SURFACES THAT COME INTO CONTACT WITH CONCRETE
- ③ **HINGES:** TYPE 316 STAINLESS STEEL
- ④ **SLAM LATCH:**
TYPE 316 STAINLESS STEEL WITH INSIDE LEVER HANDLE AND OUTSIDE REMOVABLE HANDLE
- ⑤ **COUNTER-BALANCE SPRING:**
ENCLOSED, TYPE 17-7 SST SPRING
- ⑥ **HOLD-OPEN ARM:**
TYPE 316 STAINLESS STEEL WITH RED VINYL GRIP HANDLE

- ⑦ **FLUSH LIFT HANDLE:** TYPE 316 STAINLESS STEEL
- ⑧ **DRAINAGE COUPLING:** 1-1/2"
- ⑨ **FLUSH TYPE PLUG SEAL:** TYPE 316 STAINLESS STEEL
- ⑩ **GASKET:** EPDM

FLOOR DOOR SIZE:

PROPRIETARY AND CONFIDENTIAL: THE INFORMATION CONTAINED IN THIS DRAWING IS THE SOLE PROPERTY OF BABCOCK-DAVIS. ANY REPRODUCTION IN PART OR AS A WHOLE WITHOUT THE WRITTEN PERMISSION OF BABCOCK-DAVIS IS PROHIBITED.

PROJECT:				
ARCHITECT:				
CONTRACTOR:				
QTY:				
PART#:				
	TITLE: FD, Drainable HS20, Sngl Dr, Alum, 1/4" Dmd, Mill, Gutter Frame, Gray Primer, Cast-In			
9300 73rd Avenue North, Brooklyn Park, MN 55428				
NAME	DATE	SIZE	DWG. NO.	REV
DRAWN BES	4/11/19	A	Babcock FD BFDDSA_X_SFL ShpDr	A
RELEASED BES	4/11/19	WEIGHT:	SHEET 1 OF 2	



SLAM LATCH DETAIL

PROPRIETARY AND CONFIDENTIAL: THE INFORMATION CONTAINED IN THIS DRAWING IS THE SOLE PROPERTY OF BABCOCK-DAVIS. ANY REPRODUCTION IN PART OR AS A WHOLE WITHOUT THE WRITTEN PERMISSION OF BABCOCK-DAVIS IS PROHIBITED.

			TITLE: FD, Drainable HS20, Sngl Dr, Alum, 1/4" Dmd, Mill, Gutter Frame, Gray Primer, Cast-In		
9300 73rd Avenue North Brooklyn Park, MN 55428			SIZE	DWG. NO.	REV
DRAWN	BES	4/11/19	A	Babcock FD BFDDSA_X_SFL ShpDr	A
RELEASED	BES	4/11/19	WEIGHT:	SHEET 2 OF 2	