

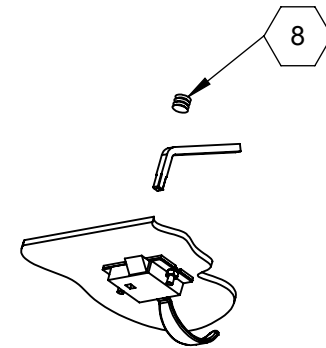
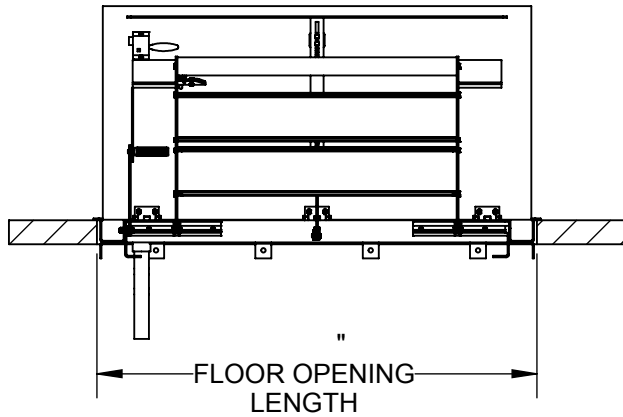
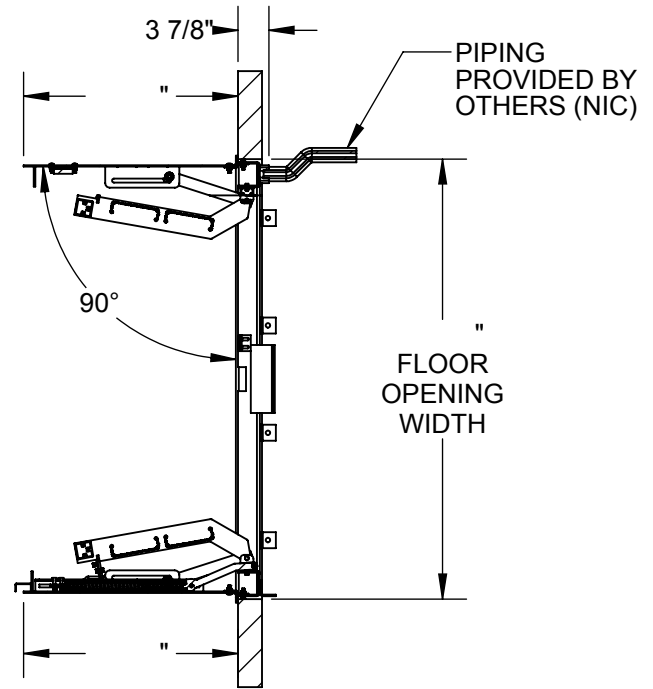
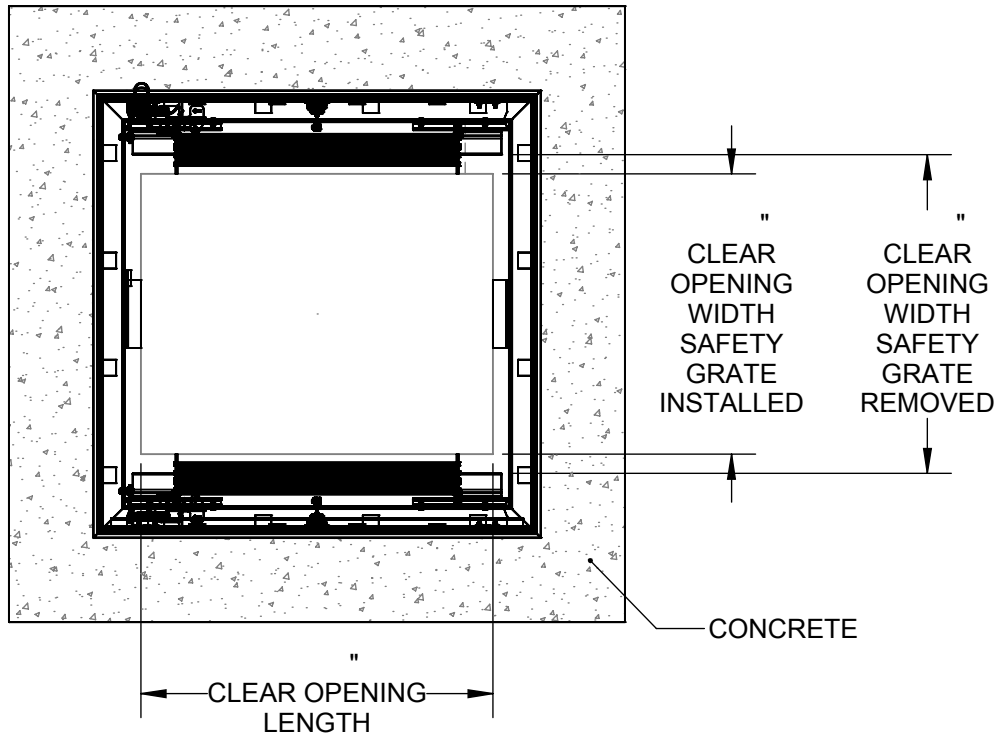
SPECIFICATIONS:

- ① **DOOR:**
316 SST, 3/16" DIAMOND PLATE, BEAD BLAST FINISH WITH A LIVE LOAD OF 300 PSF WITH A MAX SPAN DEFLECTION OF 1/150
- ② **FRAME:**
316 SST, 3/16" FORMED SMOOTH PLATE, BEAD BLAST FINISH
- ③ **HINGES:** TYPE 316 STAINLESS STEEL
- ④ **SLAM LATCH:**
TYPE 316 STAINLESS STEEL WITH INSIDE LEVER HANDLE AND OUTSIDE REMOVABLE HANDLE
- ⑤ **COUNTER-BALANCE SPRING:**
ENCLOSED, TYPE 17-7 SST SPRING
- ⑥ **HOLD-OPEN ARM:**
TYPE 316 STAINLESS STEEL WITH RED VINYL GRIP HANDLE

- ⑦ **DRAINAGE COUPLING:** 1-1/2"
- ⑧ **FLUSH TYPE PLUG SEAL:** TYPE 316 STAINLESS STEEL
- ⑨ **SAFETY GRATE:**
ALUMINUM, 6" SERRATED RAILS WITH SAFETY ORANGE POWDER COAT, LIVE LOAD OF 300PSF, SST HINGES AND INTEGRAL PADLOCK HASP
- ⑩ **NUT-RAIL:** ALUMINUM NUT-RAIL ON HINGE SIDES
- ⑪ **ANCHOR:** 3/8" HOLE PROVIDED FOR BOLT IN ON SITE, ANCHORS PROVIDED BY OTHERS

FLOOR DOOR SIZE:

PROJECT:			
ARCHITECT:			
CONTRACTOR:			
QTY:			
PART#:			
		TITLE: Floor Door, Drainable Series, Dbl Dr, 316 SST Hdw, 316 SST, Bead Blast, Pedestrian, Bolt- In, Slam Latch Removbl L Hdl,	
		9300 73rd Avenue North, Brooklyn Park, MN 55428	
NAME	DATE	SIZE	DWG. NO.
DRAWN BES	12/4/2018	A	Babcock FD BFDDPV_X_DWL-BI-SGT ShpDr
RELEASED	BES	12/4/2018	WEIGHT:
			REV A
			SHEET 1 OF 2



SLAM LATCH DETAIL

			TITLE: Floor Door, Drainable Series, Dbl Dr, 316 SST Hdw, 316 SST, Bead Blast, Pedestrian, Bolt- In, Slam Latch Removbl L Hdl,		
9300 73rd Avenue North Brooklyn Park, MN 55428			REV A		
DRAWN	BES	12/4/2018	SIZE	DWG. NO. Babcock FD BFDDPV_X_DWL-BI-SGT ShpDr	
RELEASED	BES	12/4/2018	WEIGHT:	SHEET 2 OF 2	