

SPECIFICATIONS:

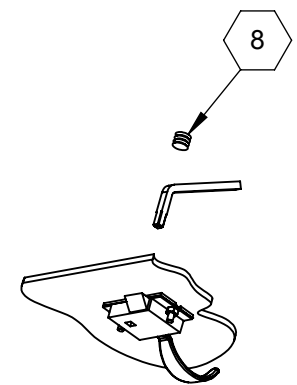
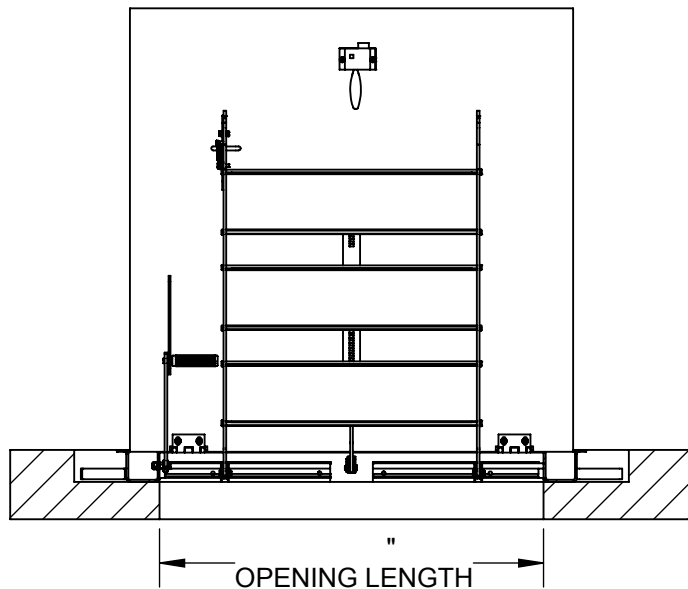
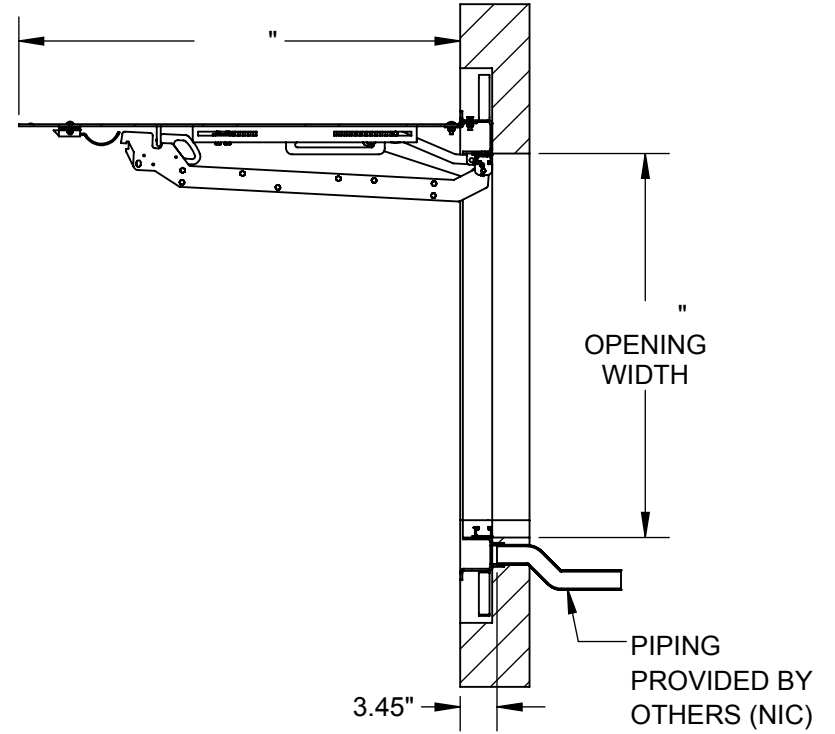
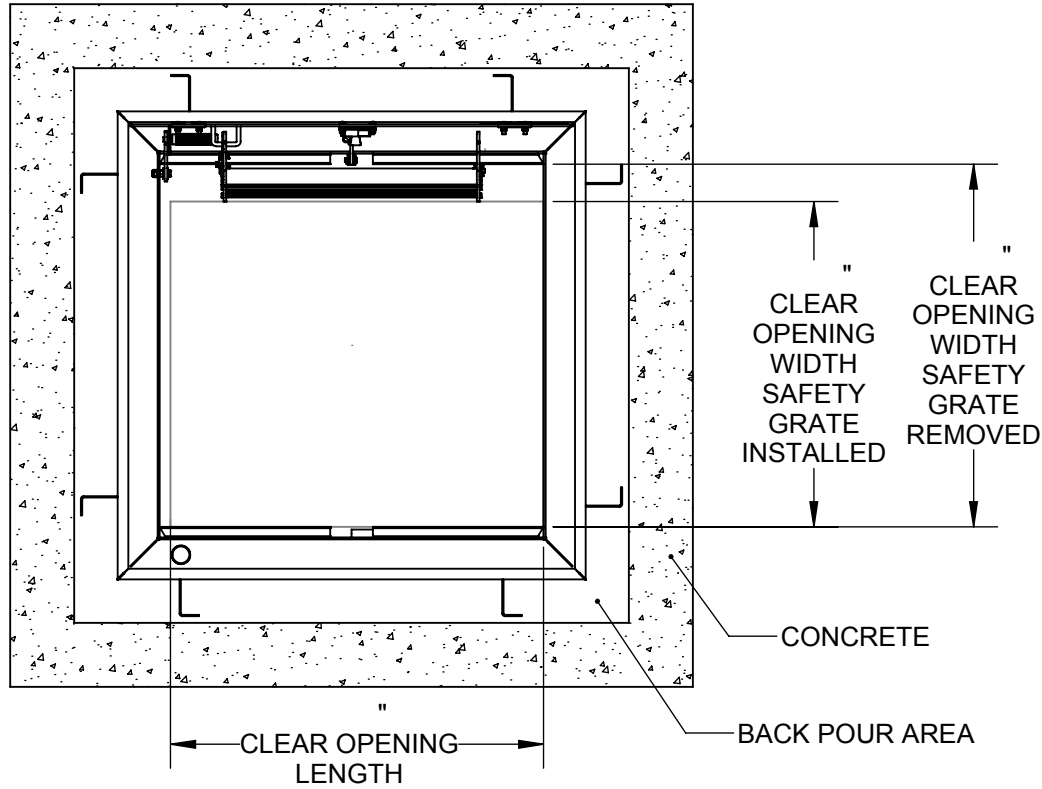
- ① **DOOR:** 304 SST, 3/16" DIAMOND PLATE, BEAD BLAST FINISH WITH A LIVE LOAD OF 300 PSF WITH A MAX SPAN DEFLECTION OF 1/150
- ② **FRAME:** 304 SST, 3/16" FORMED SMOOTH PLATE, BEAD BLAST FINISH
- ③ **HINGES:** TYPE 316 STAINLESS STEEL
- ④ **SLAM LATCH:** TYPE 316 STAINLESS STEEL WITH INSIDE LEVER HANDLE AND OUTSIDE REMOVABLE HANDLE
- ⑤ **COUNTER-BALANCE SPRING:** ENCLOSED, TYPE 17-7 SST SPRING
- ⑥ **HOLD-OPEN ARM:** TYPE 316 STAINLESS STEEL WITH RED VINYL GRIP HANDLE

- ⑦ **DRAINAGE COUPLING:** 1-1/2"
- ⑧ **FLUSH TYPE PLUG SEAL:** TYPE 316 STAINLESS STEEL
- ⑨ **SAFETY GRATE:** ALUMINUM, 6" SERRATED RAILS WITH SAFETY ORANGE POWDER COAT, LIVE LOAD OF 300PSF, SST HINGES AND INTEGRAL PADLOCK HASP
- ⑩ **NUT-RAIL:** ALUMINUM NUT-RAIL ON HINGE AND LATCH SIDES
- ⑪ **ANCHOR:** 4" CONCRETE ANCHOR STRAPS PROVIDED

FLOOR DOOR SIZE:

PROPRIETARY AND CONFIDENTIAL: THE INFORMATION CONTAINED IN THIS DRAWING IS THE SOLE PROPERTY OF BABCOCK-DAVIS. ANY REPRODUCTION IN PART OR AS A WHOLE WITHOUT THE WRITTEN PERMISSION OF BABCOCK-DAVIS IS PROHIBITED.

PROJECT:				
ARCHITECT:				
CONTRACTOR:				
QTY:				
PART#:				
babcockdavis	TITLE: Floor Door, Drainable Series, Sngl Dr, 316 SST Hdw, 304 SST, Bead Blast, Pedestrian, Cast-In Anchors, Slam Latch Removbl L Hdl			
9300 73rd Avenue North, Brooklyn Park, MN 55428				
NAME	DATE	SIZE	DWG. NO.	REV
DRAWN BES	8/3/2018	A	Babcock FD BFDDPS_X_SWL-SGT ShpDr	A
RELEASED TR	8/3/2018	WEIGHT:		SHEET 1 OF 2



SLAM LATCH DETAIL

PROPRIETARY AND CONFIDENTIAL: THE INFORMATION CONTAINED IN THIS DRAWING IS THE SOLE PROPERTY OF BABCOCK-DAVIS. ANY REPRODUCTION IN PART OR AS A WHOLE WITHOUT THE WRITTEN PERMISSION OF BABCOCK-DAVIS IS PROHIBITED.

			TITLE: Floor Door, Drainable Series, Sngl Dr, 316 SST Hdw, 304 SST, Bead Blast, Pedestrian, Cast-In Anchors, Slam Latch Removbl L Hdl		
9300 73rd Avenue North Brooklyn Park, MN 55428			DWG. NO.	REV	
DRAWN	NAME	DATE	SIZE	Babcock FD BFDDPS_X_SWL-SGT ShpDr	A
RELEASED	TR	8/3/2018	WEIGHT:	SHEET 2 OF 2	