


SPECIFICATIONS:

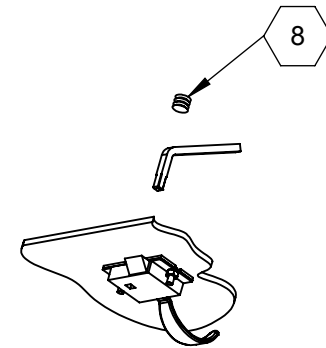
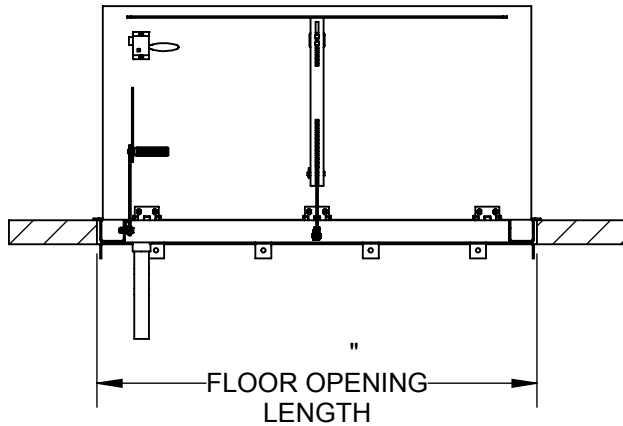
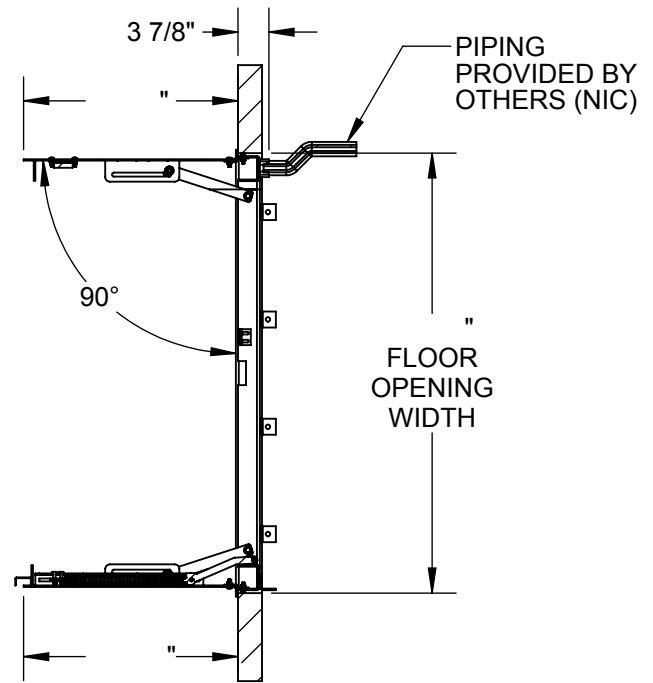
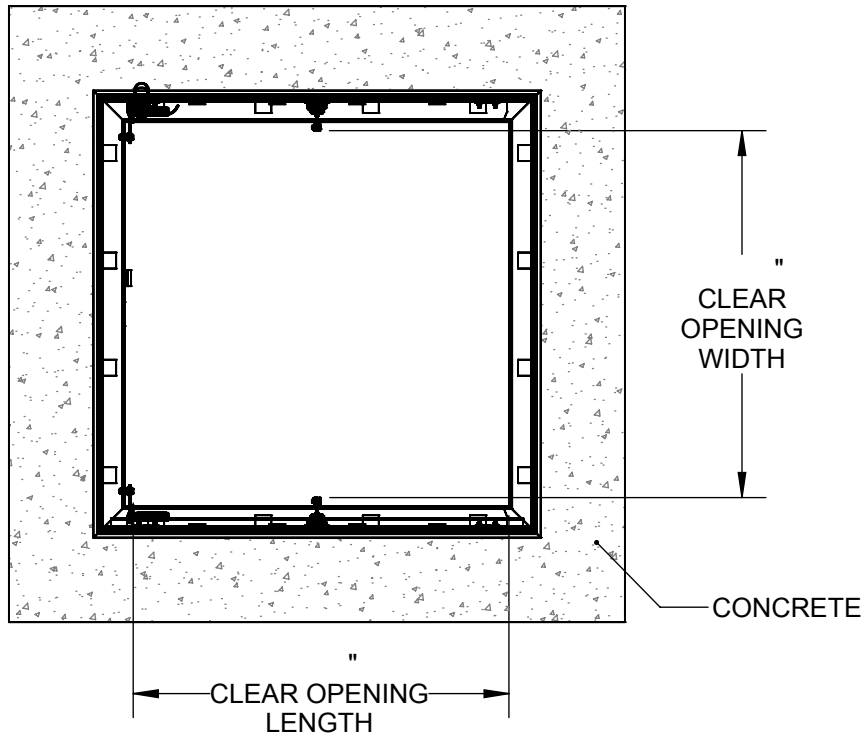
- ① **DOOR:**
304 SST, 3/16" DIAMOND PLATE, BEAD BLAST FINISH WITH A LIVE LOAD OF 300 PSF WITH A MAX SPAN DEFLECTION OF 1/150
- ② **FRAME:**
304 SST, 3/16" FORMED SMOOTH PLATE, BEAD BLAST FINISH
- ③ **HINGES:** TYPE 316 STAINLESS STEEL
- ④ **SLAM LATCH:**
TYPE 316 STAINLESS STEEL WITH INSIDE LEVER HANDLE AND OUTSIDE REMOVABLE HANDLE
- ⑤ **COUNTER-BALANCE SPRING:**
ENCLOSED, TYPE 17-7 SST SPRING
- ⑥ **HOLD-OPEN ARM:**
TYPE 316 STAINLESS STEEL WITH RED VINYL GRIP HANDLE

- ⑦ **DRAINAGE COUPLING:** 1-1/2"
- ⑧ **FLUSH TYPE PLUG SEAL:** TYPE 316 STAINLESS STEEL
- ⑨ **ANCHOR:** 3/8" HOLES PROVIDED FOR BOLT IN ON SITE, ANCHORS PROVIDED BY OTHERS

FLOOR DOOR SIZE:

PROPRIETARY AND CONFIDENTIAL: THE INFORMATION CONTAINED IN THIS DRAWING IS THE SOLE PROPERTY OF BABCOCK-DAVIS. ANY REPRODUCTION IN PART OR AS A WHOLE WITHOUT THE WRITTEN PERMISSION OF BABCOCK-DAVIS IS PROHIBITED.

| | | | | |
|---|--|---------|----------------------------------|-----|
| PROJECT: | | | | |
| ARCHITECT: | | | | |
| CONTRACTOR: | | | | |
| QTY: | | | | |
| PART#: | | | | |
|  | TITLE: Floor Door, Drainable Series, Dbl Dr, 316 SST Hdw, 304 SST, Bead Blast, Pedestrian, Bolt-In, Slam Latch Removbl L Hdl, | | | |
| 9300 73rd Avenue North, Brooklyn Park, MN 55428 | | | | |
| NAME | DATE | SIZE | DWG. NO. | REV |
| DRAWN BES | 12/4/2018 | A | Babcock FD BFDDPS_X_DWL-BI ShpDr | A |
| RELEASED BES | 12/4/2018 | WEIGHT: | SHEET 1 OF 2 | |



SLAM LATCH DETAIL

| | | | | | |
|---|-----|-----------|---|---|------------|
| | | | TITLE: Floor Door, Drainable Series, Dbl Dr, 316 SST Hdw, 304 SST, Bead Blast, Pedestrian, Bolt-In, Slam Latch Removbl L Hdl, | | |
| 9300 73rd Avenue North Brooklyn Park, MN 55428 | | | SIZE DWG. NO. A Babcock FD BFDDPS_X_DWL-BI ShpDr | | |
| DRAWN | BES | 12/4/2018 | SIZE | A | REV |
| RELEASED | BES | 12/4/2018 | WEIGHT: | | A |