

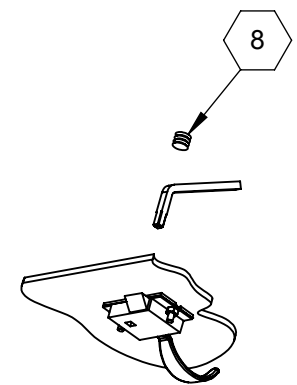
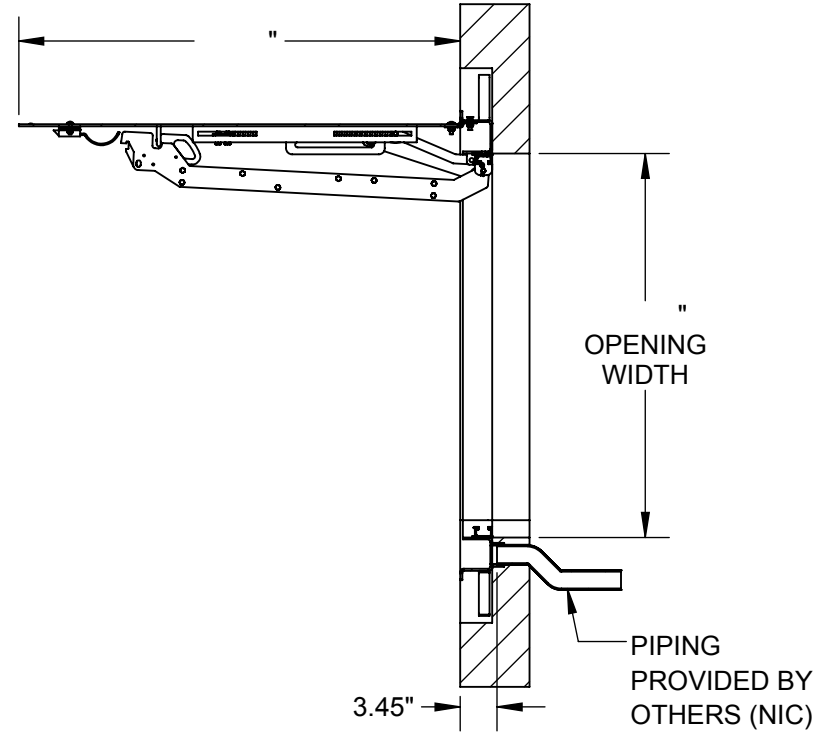
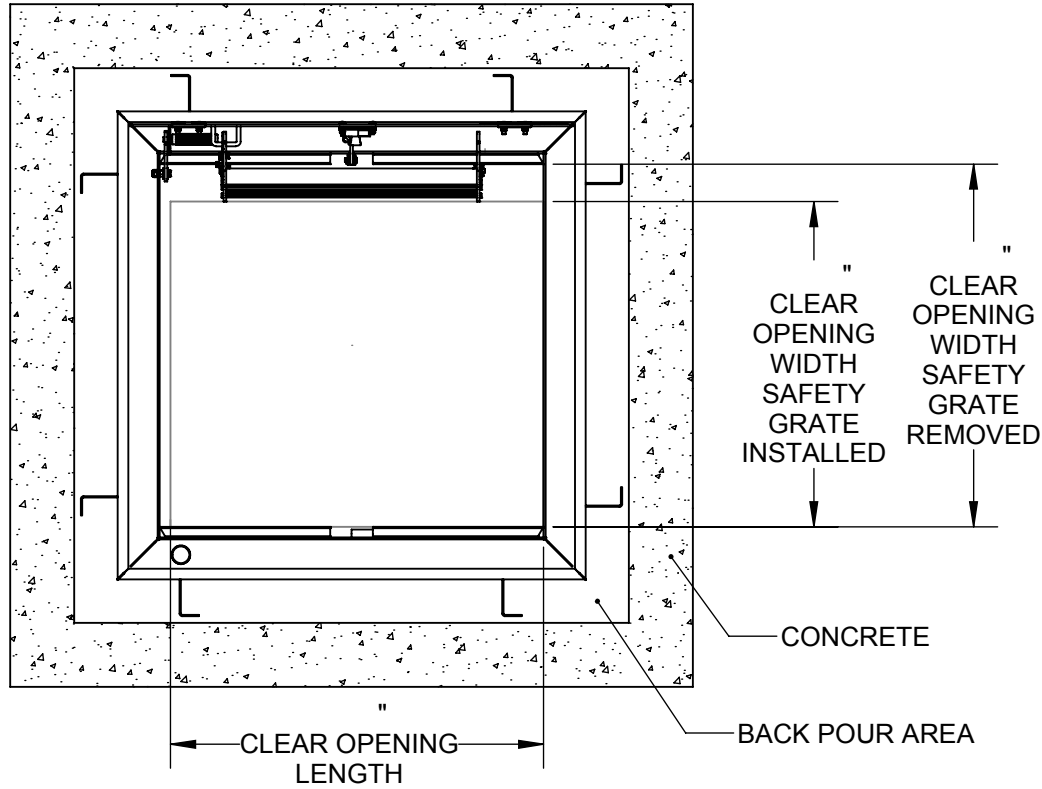
**SPECIFICATIONS:**

- ① **DOOR:**  
STEEL 3/16" DIAMOND PLATE, GRAY PRIMER FINISH WITH A LIVE LOAD OF 300 PSF WITH A MAX SPAN DEFLECTION OF 1/150
- ② **FRAME:**  
STEEL, 3/16" FORMED SMOOTH PLATE, GRAY PRIMER FINISH
- ③ **HINGES:** TYPE 316 STAINLESS STEEL
- ④ **SLAM LATCH:**  
TYPE 316 STAINLESS STEEL WITH INSIDE LEVER HANDLE AND OUTSIDE REMOVABLE HANDLE
- ⑤ **COUNTER-BALANCE SPRING:**  
ENCLOSED, TYPE 17-7 SST SPRING
- ⑥ **HOLD-OPEN ARM:**  
TYPE 316 STAINLESS STEEL WITH RED VINYL GRIP HANDLE

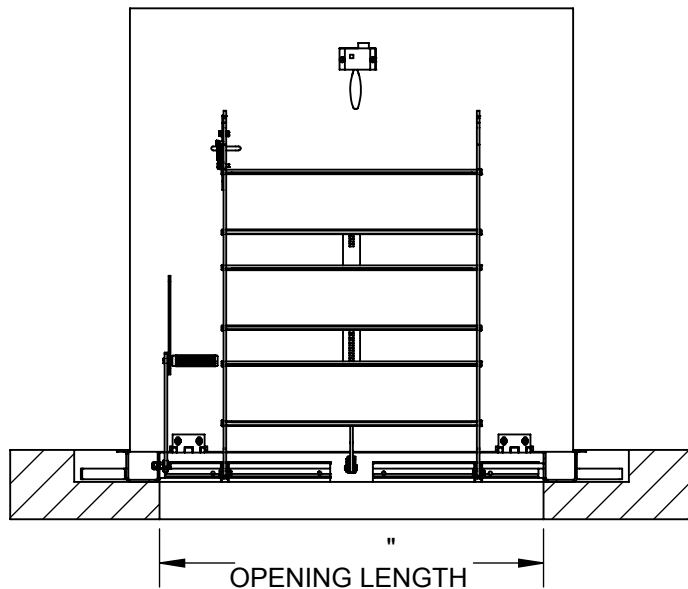
- ⑦ **DRAINAGE COUPLING:** 1-1/2"
- ⑧ **FLUSH TYPE PLUG SEAL:** TYPE 316 STAINLESS STEEL
- ⑨ **SAFETY GRATE:**  
ALUMINUM, 6" SERRATED RAILS WITH SAFETY ORANGE POWDER COAT, LIVE LOAD OF 300PSF, SST HINGES AND INTEGRAL PADLOCK HASP
- ⑩ **NUT-RAIL:** ALUMINUM NUT-RAIL ON HINGE AND LATCH SIDES
- ⑪ **ANCHOR:** 4" CONCRETE ANCHOR STRAPS PROVIDED

FLOOR DOOR SIZE:

PROJECT:				
ARCHITECT:				
CONTRACTOR:				
QTY:				
PART#:				
<b>babcockdavis</b>	<b>TITLE:</b> Floor Door, Drainable Series, Sngl Dr, 316 SST Hdw, Steel, Prime Coat, Pedestrian, Cast-In Anchors, Slam Latch Removbl L Hdl			
9300 73rd Avenue North, Brooklyn Park, MN 55428				
NAME	DATE	SIZE	DWG. NO.	REV
DRAWN SWS	8/3/2018	A	Babcock FD BFDDPP_X_SWL-SGT ShpDr	A
RELEASED TR	8/3/2018	WEIGHT:	SHEET 1 OF 2	



**SLAM LATCH DETAIL**



PROPRIETARY AND CONFIDENTIAL: THE INFORMATION CONTAINED IN THIS DRAWING IS THE SOLE PROPERTY OF BABCOCK-DAVIS. ANY REPRODUCTION IN PART OR AS A WHOLE WITHOUT THE WRITTEN PERMISSION OF BABCOCK-DAVIS IS PROHIBITED.

				TITLE: Floor Door, Drainable Series, Sngl Dr, 316 SST Hdw, Steel, Prime Coat, Pedestrian, Cast-In Anchors, Slam Latch Removbl L Hdl	
9300 73rd Avenue North Brooklyn Park, MN 55428				DWG. NO.	REV
DRAWN	NAME	DATE	SIZE	Babcock FD BFDDPP_X_SWL-SGT ShpDr	A
RELEASED	TR	8/3/2018	WEIGHT:	SHEET 2 OF 2	