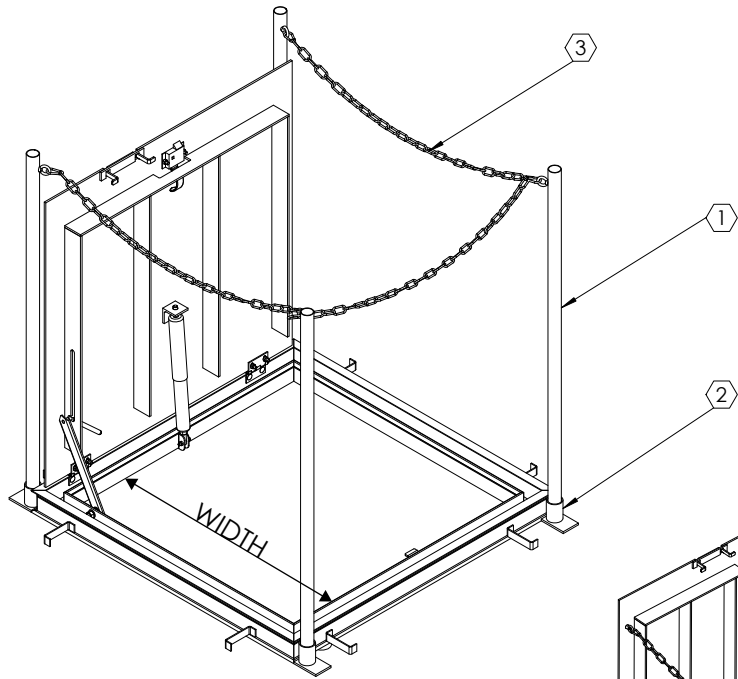
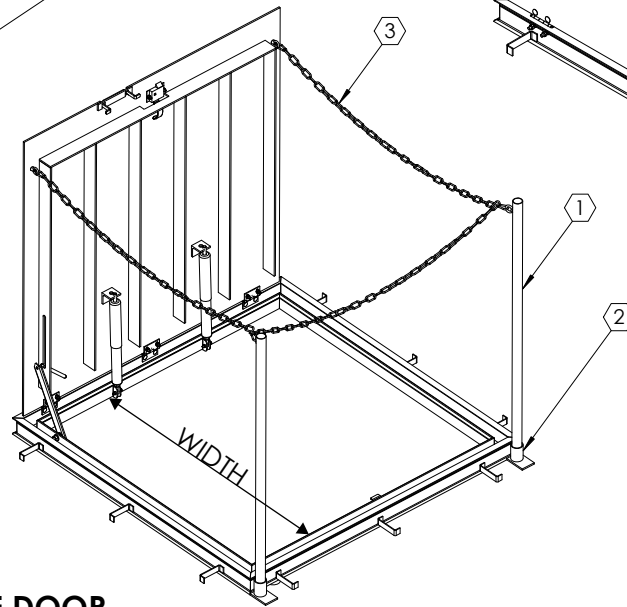


B

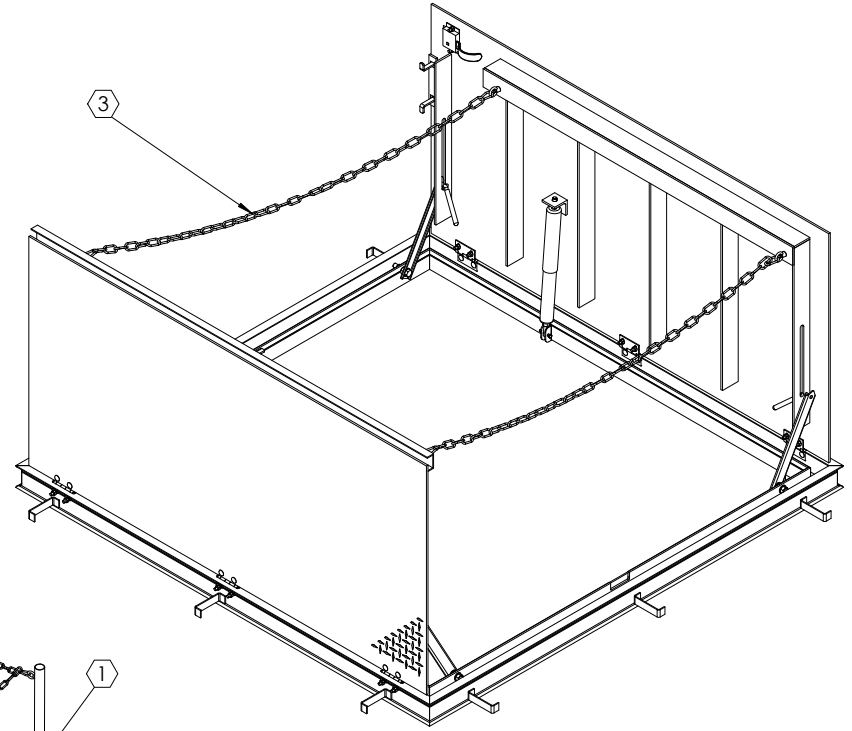
B



SINGLE DOOR
WIDTH <42"



SINGLE DOOR
WIDTH 42" - 48"



DOUBLE DOOR

A


A

FLOOR DOOR SAFETY CHAIN OPTIONS (-SC)

SPECIFICATIONS:

- ① **POST:** ALUMINUM TUBING, 1-1/2" OUTSIDE DIAMETER X .065" WALL THICKNESS
- ② **BASE MOUNT:** ALUMINUM TUBING 2" OUTSIDE DIAMETER WITH 2.5" MOUNTING PLATE WELDED TO EXTERIOR OF FRAME
- ③ **CHAIN:** TYPE 316 STAINLESS STEEL 3/16" LOOP CHAIN ATTACHED WITH SPRING CLIPS TO LIFTING EYE NUT

PROPRIETARY AND CONFIDENTIAL; THE INFORMATION CONTAINED IN THIS DRAWING IS THE SOLE PROPERTY OF BABCOCK DAVIS. ANY REPRODUCTION IN PART OR AS A WHOLE WITHOUT THE WRITTEN PERMISSION OF BABCOCK DAVIS IS PROHIBITED. THIS IS A GENERIC SHOP DRAWING AND MAY NOT BE AN ACTUAL REPRESENTATION OF THE FINAL PRODUCT.

 9300 73rd Avenue North Brooklyn Park, MN 55428			TITLE: Floor Door Safety Chain Options		
			NAME	DATE	SIZE
DRAWN	JE	04/18/11	A	BFD-SC	A
RELEASED	DWO	04/18/11	WEIGHT: Varies	SHEET 1 OF 1	