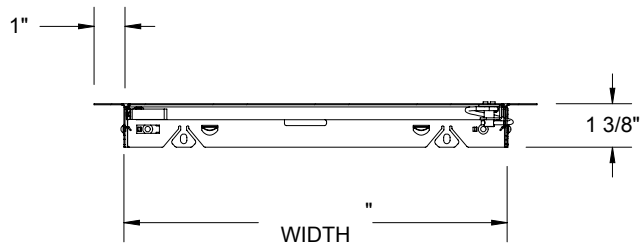
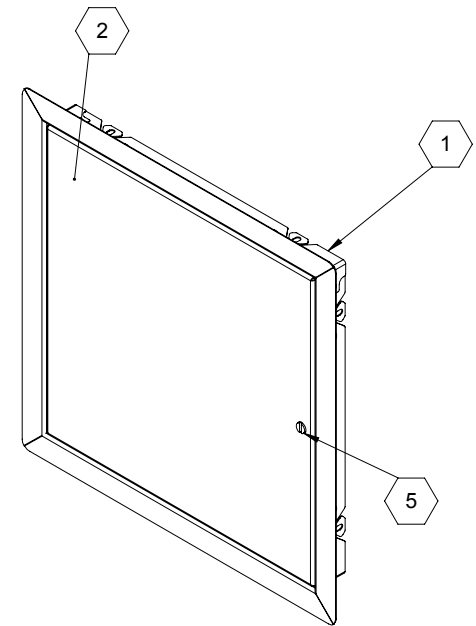


SECTION A-A



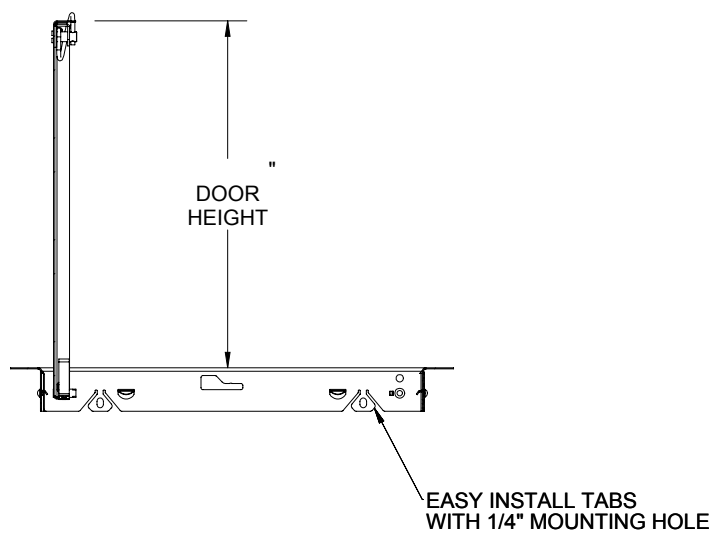
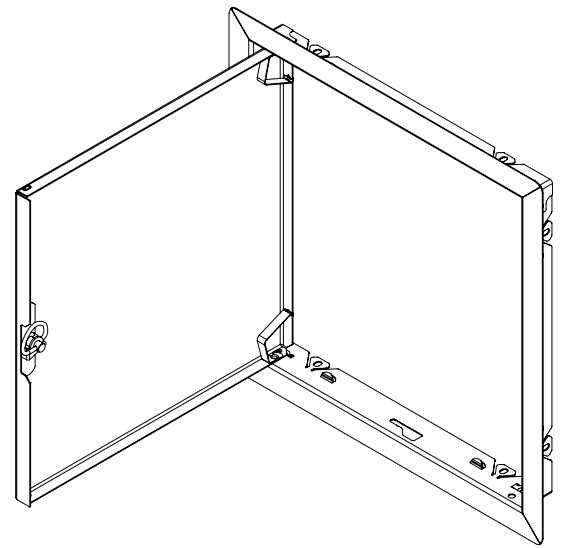
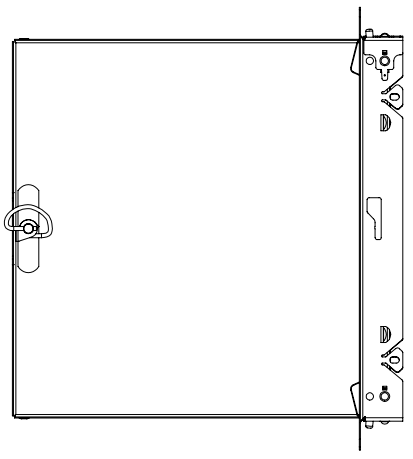
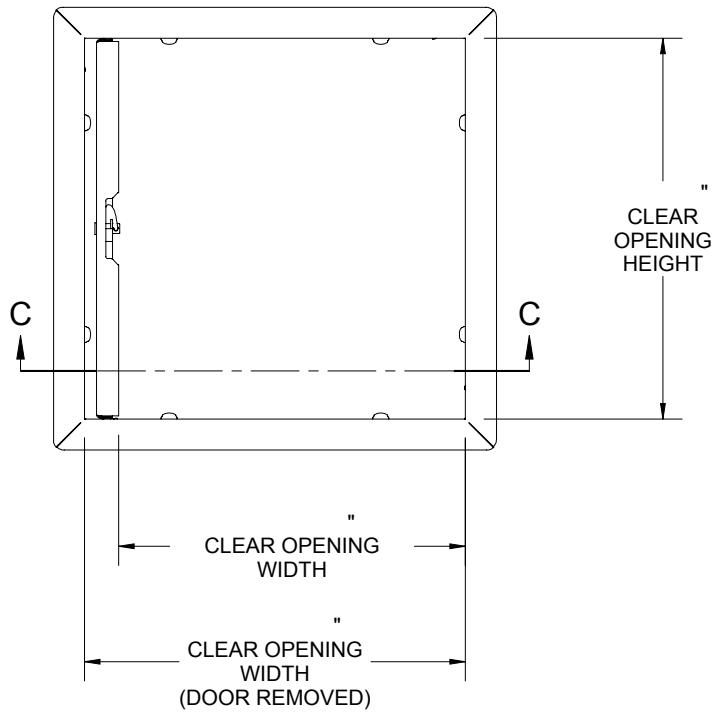
SECTION B-B

ROUGH OPENING: " X " "
 CLEAR OPENING: " X " "
 DEGREE OF OPENING: ° ° "
 CAM QTY: Latch Side
 Top/Bottom Sides

NOTES:

- ① **FRAME:** CRS 20 Ga, 1" Flange
- ② **DOOR:** CRS 20 Ga
- ③ **FINISH:** White Powder Coat
- ④ **HINGE:**
- ⑤ **LATCH:**

PROJECT:			
ARCHITECT:			
CONTRACTOR:			
QTY:			
PART#:		TITLE:	
 9300 73rd Avenue North Brooklyn Park, MN 55428			
NAME	DATE	SIZE	DWG. NO.
DRAWN		A	
RELEASED			
			REV -
			SHEET 1 OF 2



PART#:		TITLE:		
9300 73rd Avenue North Brooklyn Park, MN 55428				
NAME	DATE	SIZE	DWG. NO.	REV
DRAWN		A		-
RELEASED				

PROPRIETARY AND CONFIDENTIAL: THE INFORMATION CONTAINED IN THIS DRAWING IS THE SOLE PROPERTY OF BABCOCK-DAVIS. ANY REPRODUCTION IN PART OR AS A WHOLE WITHOUT THE WRITTEN PERMISSION OF BABCOCK-DAVIS IS PROHIBITED.