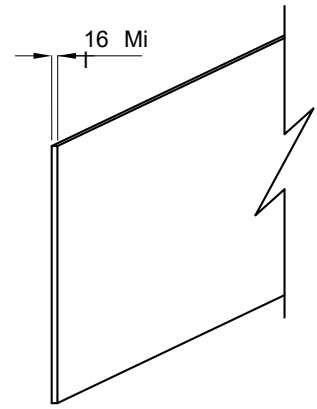
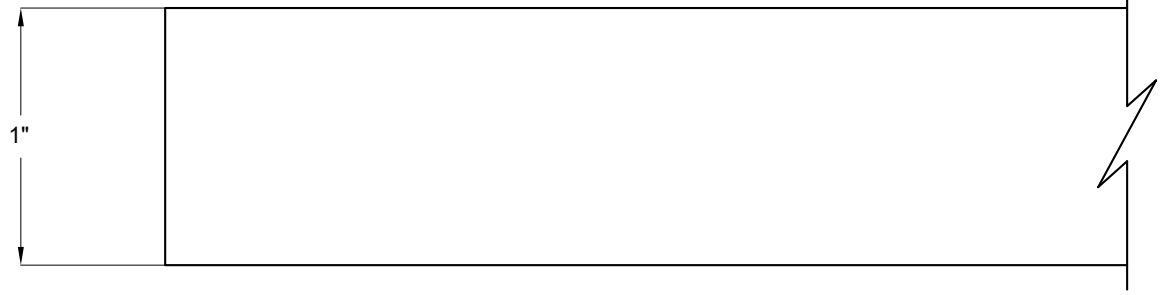


B

B



BEM-DT1-150

A

A

Specification:

- Egress Marking - Photoluminescent Demarcation 1
- Inch Wide Tape, 150 Foot Rolls
- 16 Mil Acrylic
- Self Adhesive Backing
- UL 1994 Tested and Listed
- Tested to ASTM E2072

 9300 73rd Avenue North Brooklyn Park, MN 55428				TITLE:	
				BEM-DT1-150 Egress Marking, Lume-A-Lite, Photoluminescent Demarcation, Tape, 1"X150', Self-Adhesive	
	NAME	DATE	SIZE	DWG. NO.	REV
DRAWN	DKL	1/10/19	A	BEM-DT1-150	A
RELEASED	BB	1/10/19	WEIGHT:	SHEET 1 OF 1	

PROPRIETARY AND CONFIDENTIAL: THE INFORMATION CONTAINED IN THIS DRAWING IS THE SOLE PROPERTY OF BABCOCK DAVIS. ANY REPRODUCTION IN PART OR AS A WHOLE WITHOUT THE WRITTEN PERMISSION OF BABCOCK DAVIS IS PROHIBITED.