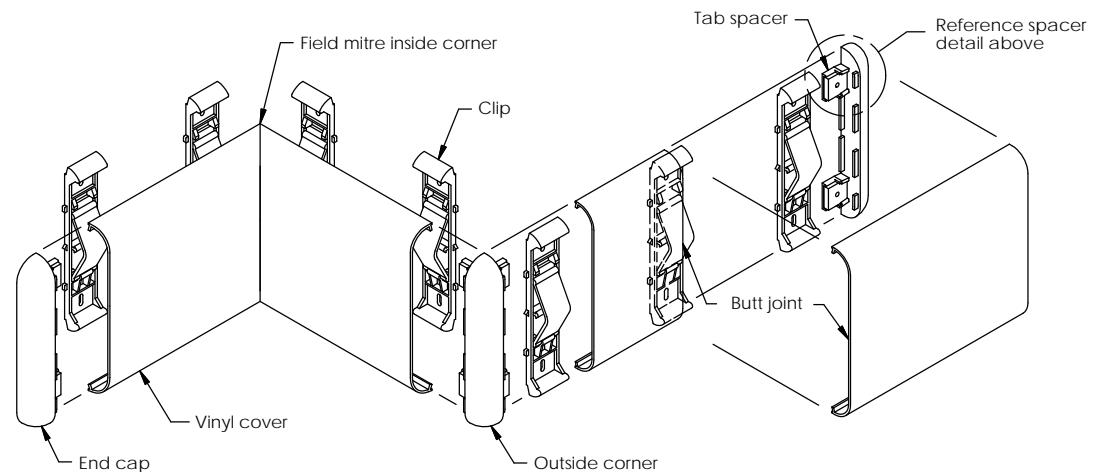
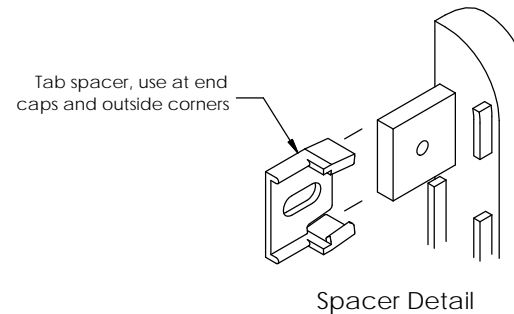
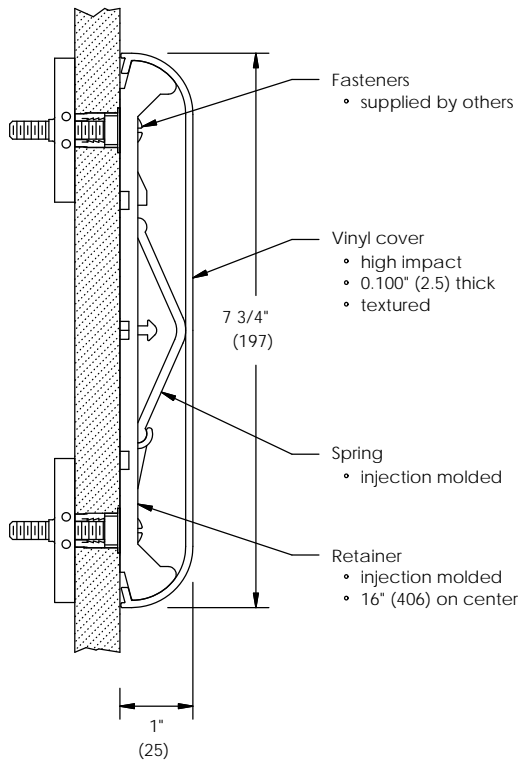


B

B



( ) denotes millimeters

A

A

Features:

- Class A fire rated wall guard
- Molded end caps
- Molded outside corners
- Stock length 12'-0" (3658)

Finishes:

- Manufacturer's standard colors
- Custom colors available
- Grooved

PROJECT:			
ARCHITECT:			
CONTRACTOR:			
QTY:			
PART#:		BCRVS775E-P	
 9300 73rd Avenue North Brooklyn Park, MN 55428		TITLE:	
		Crash Rail, 7 3/4" Vinyl, Surface Mount, Clip Retainer	
NAME	DATE	SIZE	DWG. NO.
DRAWN	DKL	5/16/17	A
RELEASED	DT	5/16/17	WEIGHT: VARIES
			REV
			A
			SHEET 1 OF 1