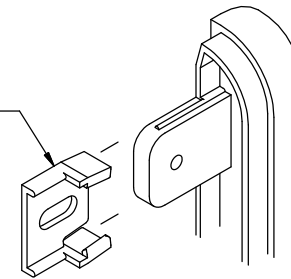
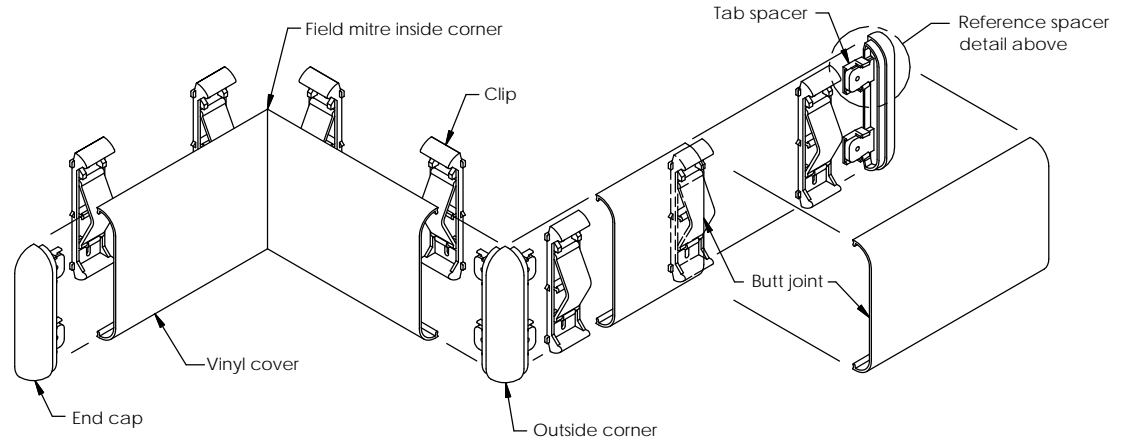


Tab spacer, use at end caps and outside corners



Spacer Detail




() denotes millimeters

Features:

- Class A fire rated wall guard
- Molded end caps
- Molded outside corners
- Stock length 12'-0" (3658)

Finishes:

- Manufacturer's standard colors
- Custom colors available
- Grooved
- Accent strips

PROJECT:			
ARCHITECT:			
CONTRACTOR:			
QTY:			
PART#:		BCRVS6E-P	
		TITLE:	
9300 73rd Avenue North Brooklyn Park, MN 55428		Crash Rail, 6" Vinyl, Surface Mount, Clip Retainer	
NAME	DATE	SIZE	DWG. NO.
DKL	5/16/17	A	Babcock WDP BCRVS6E-P ShpDr
RELEASED	DT	5/16/17	WEIGHT: VARIES
			REV A
			SHEET 1 OF 1