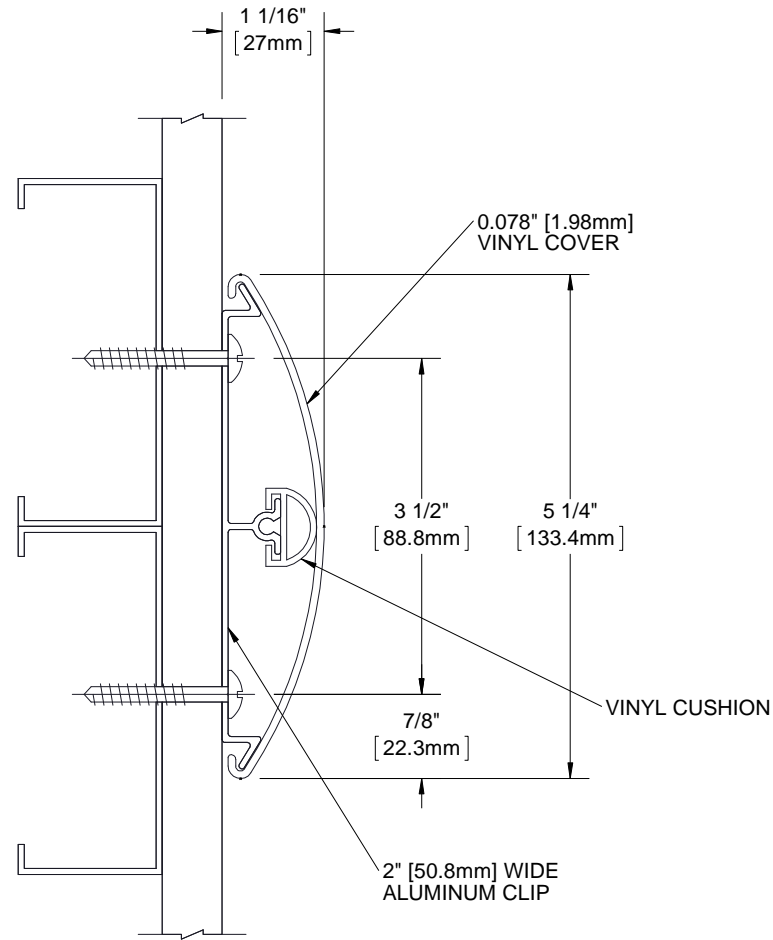



QUANTITY

COLOR



NOTES:

1. **PROFILE:** HIGH IMPACT VINYL ACRYLIC EXTRUSION LOCKED IN PLACE, NOMINAL 0.078" (1.98mm) THICK
2. CLASS A FIRE RATING, TESTED TO ASTM E84
3. **RETAINER:** 6063 T-5 ALUMINUM RETAINER CLIP, NOMINAL 0.062" (1.52mm) THICK X 2" WIDE
4. **EXTRUSION:** PEBBLE GRAIN FINISH WHICH CONTAINS EPA REGISTERED MICRO-CHEK ANTIMICROBIAL AGENT
5. **VINYL CRASH RAIL LENGTH:** PROVIDED IN 20' CONTINUOUS SECTIONS
6. END CAP: #BCRVS5C-ECT, OUTSIDE CORNER: #BCRVS5C-OCT, 135 DEG OUTSIDE CORNER: #BCRVS5C-OC135, SPLICE KIT: #BCRVS5E-SK
7. FASTENERS AND PARTITION COMPONENTS PROVIDED BY OTHERS.

PROJECT:																
ARCHITECT:																
CONTRACTOR:																
 9300 73rd Avenue North Brooklyn Park, MN 55428		TITLE: 5" VINYL CRASH RAIL CRESCENT SHAPE, SURFACE MOUNT ECONOMY 2" MOUNTING CLIP														
		<table border="1"> <tr> <th>NAME</th> <th>DATE</th> <th>SIZE</th> <th>DWG. NO.</th> <th>REV</th> </tr> <tr> <td>DRAWN</td> <td>MDS 04JUN13</td> <td>A</td> <td>BCRVS5E</td> <td>A</td> </tr> <tr> <td>RELEASED</td> <td>PGE 04JUN13</td> <td></td> <td>WEIGHT: 0.17 lbs/ft</td> <td>SHEET 1 OF 1</td> </tr> </table>	NAME	DATE	SIZE	DWG. NO.	REV	DRAWN	MDS 04JUN13	A	BCRVS5E	A	RELEASED	PGE 04JUN13		WEIGHT: 0.17 lbs/ft
NAME	DATE	SIZE	DWG. NO.	REV												
DRAWN	MDS 04JUN13	A	BCRVS5E	A												
RELEASED	PGE 04JUN13		WEIGHT: 0.17 lbs/ft	SHEET 1 OF 1												

PROPRIETARY AND CONFIDENTIAL: THE INFORMATION CONTAINED IN THIS DRAWING IS THE SOLE PROPERTY OF BABCOCK-DAVIS. ANY REPRODUCTION IN PART OR AS A WHOLE WITHOUT THE WRITTEN PERMISSION OF BABCOCK-DAVIS IS PROHIBITED.