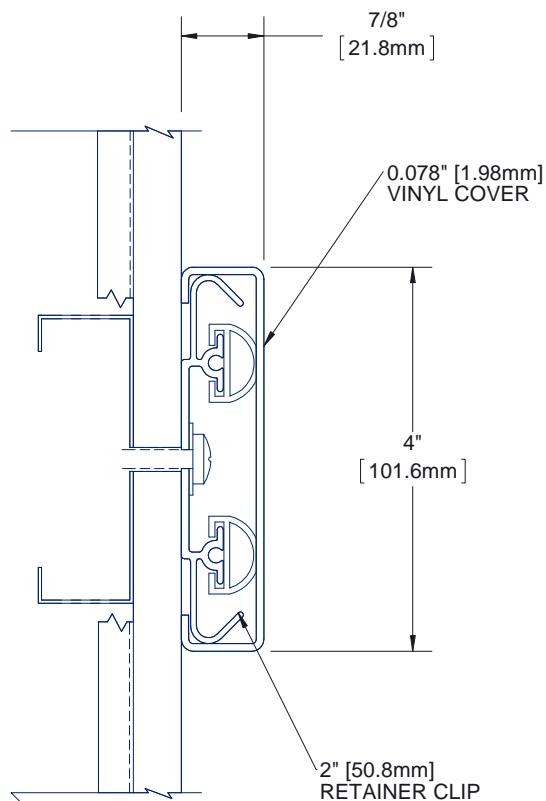


QUANTITY


COLOR



**NOTES:**

- PROFILE:** HIGH IMPACT VINYL ACRYLIC EXTRUSION LOCKED IN PLACE, NOMINAL 0.078" (1.98mm) THICK
- CLASS A FIRE RATING, TESTED TO ASTM E84
- RETAINER:** 6063 T-5 ALUMINUM RETAINER CLIP, NOMINAL 0.080" (2.03mm) THICK X 2" WIDE
- EXTRUSION:** PEBBLE GRAIN FINISH WHICH CONTAINS EPA REGISTERED MICRO-CHEK ANTIMICROBIAL AGENT, 1-1/2" IS SMOOTH SATIN FINISH
- VINYL CRASH RAIL LENGTH:** PROVIDED IN 20' CONTINUOUS SECTIONS
- END CAP: #BCRVS4E-EC, OUTSIDE CORNER: #BCRVS4E-OC, INSIDE CORNER: #BCRVS4E-IC, SPLICE KIT: #BCRVS4E-SK
- FASTENERS AND PARTITION COMPONENTS PROVIDED BY OTHERS.

PROPRIETARY AND CONFIDENTIAL: THE INFORMATION CONTAINED IN THIS DRAWING IS THE SOLE PROPERTY OF BABCOCK-DAVIS. ANY REPRODUCTION IN PART OR AS A WHOLE WITHOUT THE WRITTEN PERMISSION OF BABCOCK-DAVIS IS PROHIBITED.

PROJECT:											
ARCHITECT:											
CONTRACTOR:											
 9300 73rd Avenue North Brooklyn Park, MN 55428		TITLE: 4" VINYL CRASH RAIL SURFACE MOUNT, END CAP ECONOMY 2" CLIP MOUNTING									
		<table border="1"> <tr> <th>NAME</th> <th>DATE</th> <th>SIZE</th> <th>DWG. NO.</th> <th>REV</th> </tr> <tr> <td>MDS</td> <td>26APR13</td> <td>A</td> <td>BCRVS4E</td> <td>A</td> </tr> </table>	NAME	DATE	SIZE	DWG. NO.	REV	MDS	26APR13	A	BCRVS4E
NAME	DATE	SIZE	DWG. NO.	REV							
MDS	26APR13	A	BCRVS4E	A							
RELEASED	PGE	01MAY13	WEIGHT: 0.299 lbs/ft	SHEET 1 OF 1							