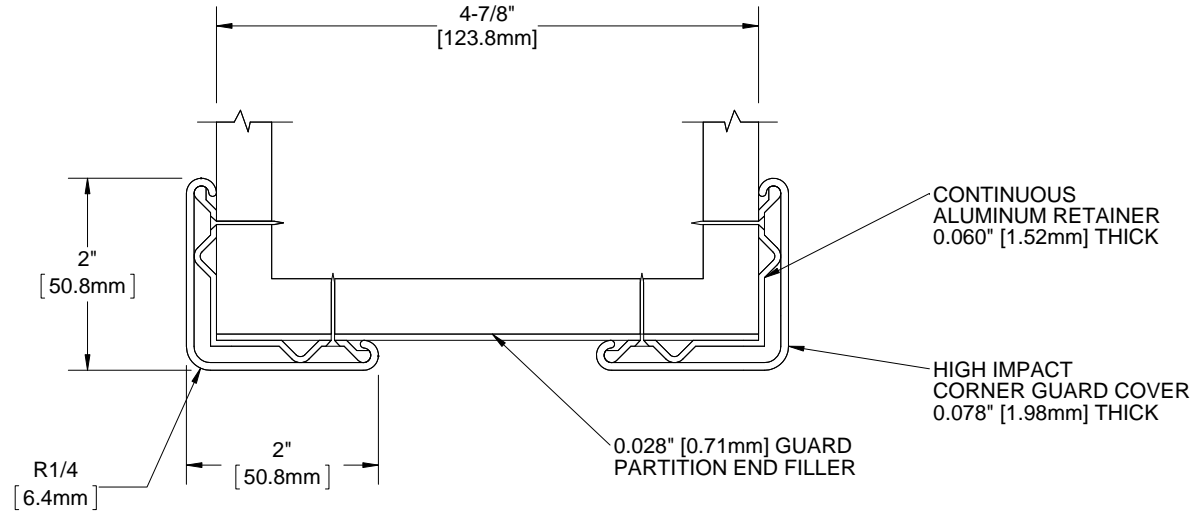


| QUANTITY | LENGTH |
|----------|--------|
|          |        |
|          |        |
|          |        |
|          |        |

| COLOR |
|-------|
|       |



**NOTES:**

- PROFILE:** HIGH IMPACT VINYL ACRYLIC EXTRUSION LOCKED IN PLACE, NOMINAL 0.078" (1.98mm) THICK
- CLASS A FIRE RATING, TESTED TO ASTM E84
- RETAINER:** CONTINUOUS 6063 T-5 ALUMINUM, NOMINAL 0.060" (1.52mm) THICK
- EXTRUSION:** PEBBLE GRAIN FINISH WHICH CONTAINS EPA REGISTERED MICRO-CHEK ANTIMICROBIAL AGENT
- MAXIMUM LENGTH:** VINYL CORNER GUARDS 20'
- HARDWARE:** #6 X 1-5/8" DRYWALL SCREWS INCLUDED
- END CAP: #BCGVS2S-EC (4X REQUIRED FOR COMPLETE ASSEMBLY)
- PARTITION COMPONENTS PROVIDED BY OTHERS. FINISHED LENGTH INCLUDES END CAPS

|                                                                                                                                            |      |                                                           |                     |                |     |
|--------------------------------------------------------------------------------------------------------------------------------------------|------|-----------------------------------------------------------|---------------------|----------------|-----|
| PROJECT:                                                                                                                                   |      |                                                           |                     |                |     |
| ARCHITECT:                                                                                                                                 |      |                                                           |                     |                |     |
| CONTRACTOR:                                                                                                                                |      |                                                           |                     |                |     |
| <br>9300 73rd Avenue North<br>Brooklyn Park, MN 55428 |      | TITLE: 2" VINYL CORNER GUARD<br>SURFACE MOUNT<br>END WALL |                     |                |     |
|                                                                                                                                            |      |                                                           |                     |                |     |
|                                                                                                                                            | NAME | DATE                                                      | SIZE                | DWG. NO.       | REV |
| DRAWN                                                                                                                                      | MDS  | 24APR13                                                   | A                   | BCGVS2S-EW4875 | A   |
| RELEASED                                                                                                                                   | PGE  | 01MAY13                                                   | WEIGHT: 1.07 lbs/ft | SHEET 1 OF 1   |     |