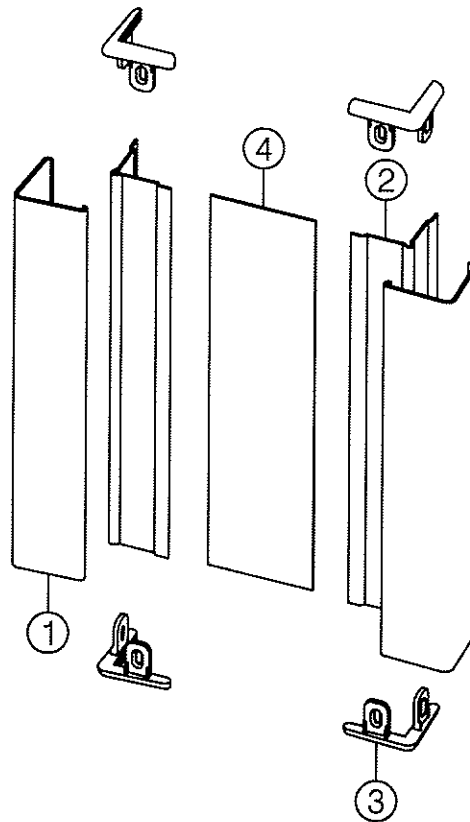




## Surface Mounted End Wall Guards

Model(s): BCGVS-EW-P



## Table of Contents

General Description.....3  
 Installation.....4-8  
 Parts.....9  
 Maintenance.....10  
 Standard Warranty.....11  
 Factory Assistance.....12

### Copyright

2017 by Babcock-Davis. All rights reserved.

This document contains proprietary information. No part of this document may be reproduced without the prior written consent of Babcock-Davis.

### Note

The information in this document is subject to change without notice.

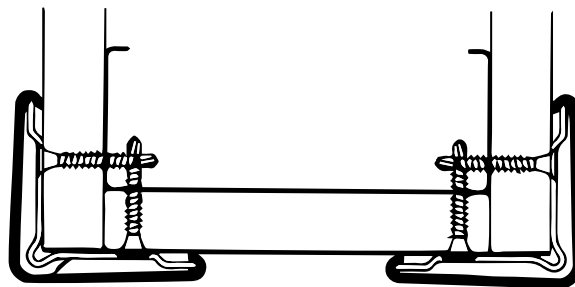
### General Safety Precautions

Improper selection, installation, or use can cause personal injury or property damage. It is solely the responsibility of the user, through its own analysis to select products suitable for their specific application requirements, ensure they are properly maintained, and limit their use to its intended purpose.

Follow proper local, state and federal regulations for proper installation and operation requirements.

GENERAL DESCRIPTION

End wall guards are designed for years of safe building use. Proper installation of the corner guards is critical to the product's performance. The following are general instructions for installing, maintaining and cleaning vinyl corner guards. These are recommended general guidelines only. Locally accepted installation practices and procedures should be followed to ensure a system that meets all local code requirements.



## INSTALLATION

Preparation: Verify that all products listed on the packaging slip are included in the package. Check the products for damage. If product is damaged, contact customer support immediately to report a freight claim.

Store material in a clean dry place where the temperature is maintained between 50°F (10°C) and 100°F (38°C). Walls and rooms should be maintained at a minimum of 65°F (18°C) for at least 48 hours prior to installation. Acclimate materials to normal building conditions for at least 24 hours before cutting and installing.

**Step 1** This series of end wall guards is available with molded closure caps. While the installation of a cap at each end is considered standard, this product may also be installed with or without a cap at either end, see **fig 1**.

Both the aluminum retainer and snap on cover are pre-cut at the factory and require no further trimming. Refer to the **Cutting Adjustment Diagrams and Schedule** if it is necessary to alter the corner guard length. All cuts must be square and deburred.

**Step 2** If necessary, cut filler strip lengthwise to a width equal to, or a maximum of 1/8 inch narrower than, the partition width. Depending on availability, the filler strip may be supplied in .030 inch, .040 inch, .060 inch, .093 inch, or .100 inch thickness. The .030 and .040 inch material can be cut with a utility knife. Thicker materials should be ripped on a table saw.

End of filler strip is visible when the overall height is below eye level. If adjustment to length is required strip must be cut square and deburred. To minimize any gaps that will occur behind the aluminum retainers and closure caps filler strip must be:

- Full height of end wall guard including thickness of closure caps.
- As close to full partition width as possible without hanging over either side.
- Installed centered on the width of the end wall.

**Step 3** If installing on masonry, pre-drill clearance holes in aluminum retainer for hardware listed below using a #15 (.180 inch) bit for #8 fastener. Locate mounting holes at closure caps and along the retainer not to exceed 32 inches on center, see **fig 2**.

If installing on gypsum wall with stud backing, proceed to **Step 4**.

## INSTALLATION

**Step 4** Position the aluminum retainer according to the number of closure caps to be used.

- When using top and bottom caps or top cap only: Locate the aluminum 5/16 inch below the desired overall height of the installed corner guard inclusive of closure caps, and top of filler strip, see **fig 3a**.
- When using a bottom cap only: Locate the aluminum 5/16 inch above the desired overall bottom of the installed corner guard inclusive of closure cap, and bottom of filler strip, see **fig 3b**.
- When using no caps: Locate the aluminum at the desired overall bottom of the installed corner guard, flush with end of filler strip, see **fig 3c**.

Caution: The aluminum retainer for all stock length corner guards is pre-cut to accommodate two closure caps regardless of whether or not they are actually used. As a result, the aluminum may be supplied at a length shorter than the snap on cover. To ensure the correct mating of closure caps with aluminum retainer it is necessary to identify and follow the appropriate closure cap installation condition above.

Important: Always make sure there is adequate clearance between closure caps and adjacent construction. If no bottom cap is used, the corner guard must contact a surface that will prevent the snap on cover from sliding out of position.

**Step 5** Using the appropriate hardware according to wall construction, mount aluminum retainer to wall with filler strip held in place at the correct height and centered as described in **Step 2**. See **Step 6** for fastening at closure caps.

- Drywall Installation: Locate mounting holes at closure caps and along the retainer not to exceed 32 inches on center, see **fig 2**. If it is necessary to install fasteners in locations where there is no metal backing or stud use pre-drilled aluminum as a template to mark and drill wall for plastic Alligator insert in accordance with instructions provided with hardware.
- Masonry Installation: Using the pre-drilled aluminum as a template, mark and drill the wall at all pre-drilled holes to accept hardware listed on page 6.

INSTALLATION

**Suggested hardware diameter and type**

- |  |  |
|--|--|
| • Drywall with studs                           | #8 drill point sheet metal or drywall screw.   |
| • Drywall without stud or backing<br>• Masonry | Plastic Alligator insert with #8 sheet metal or drywall screw. Drill in accordance with instructions provided with hardware. |

**Suggested hardware head style**

- |   |   |
|---|---|
| • To attach closure caps                    | Bugle head (drywall screw) or flat head |
| • To secure aluminum away from closure caps | Bugle head (drywall screw) or pan head  |

**Step 6** Fasten closure caps in place using bugle head or flat head hardware selected in **Step 5**. Hold cap firmly in place against aluminum while tightening.

**Step 7** Snap extruded covers in place.

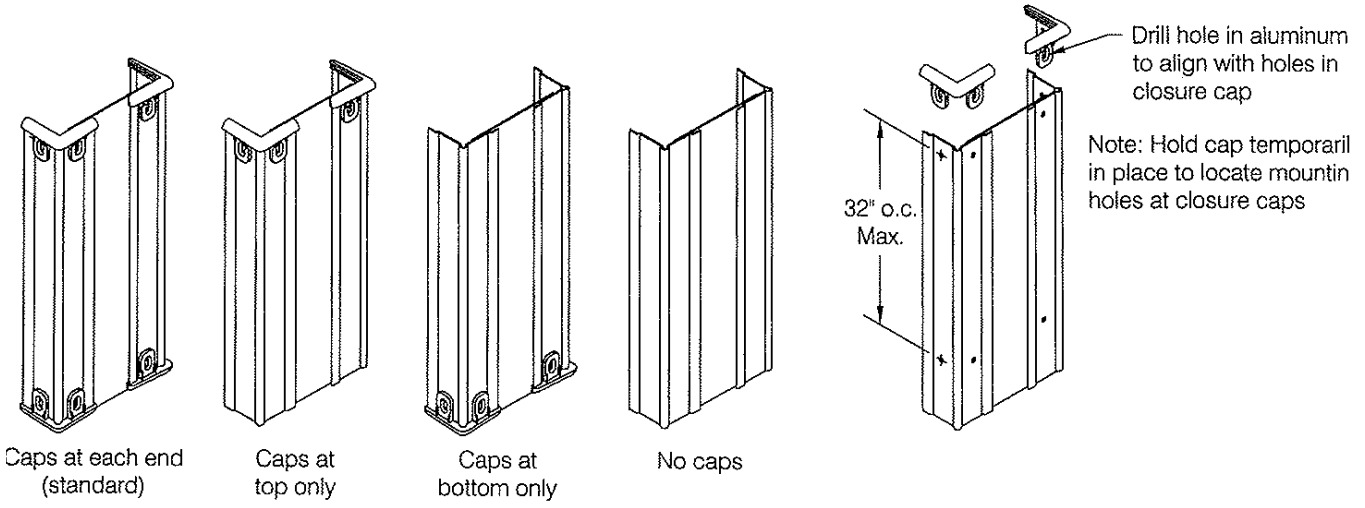


fig 1

fig 2

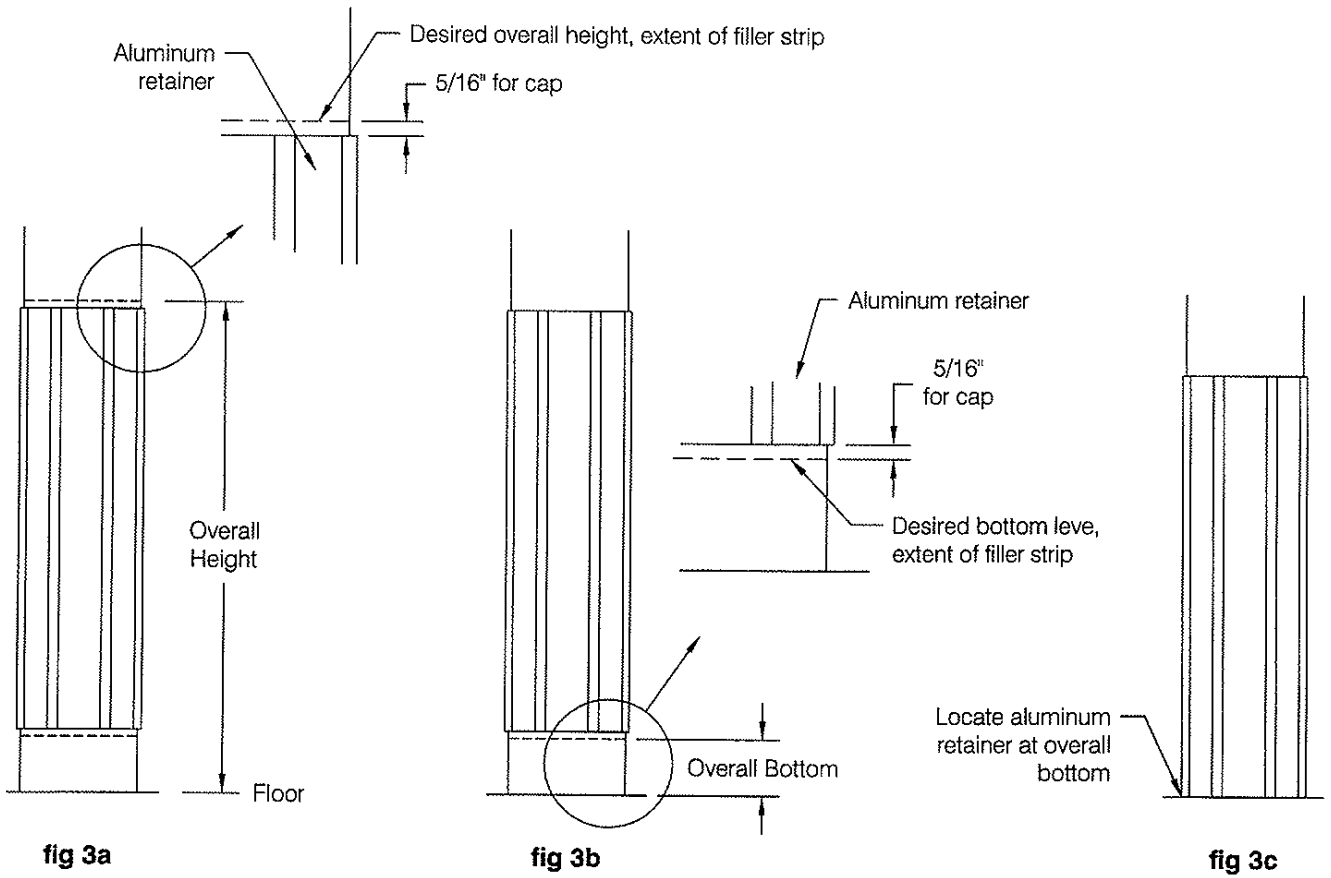
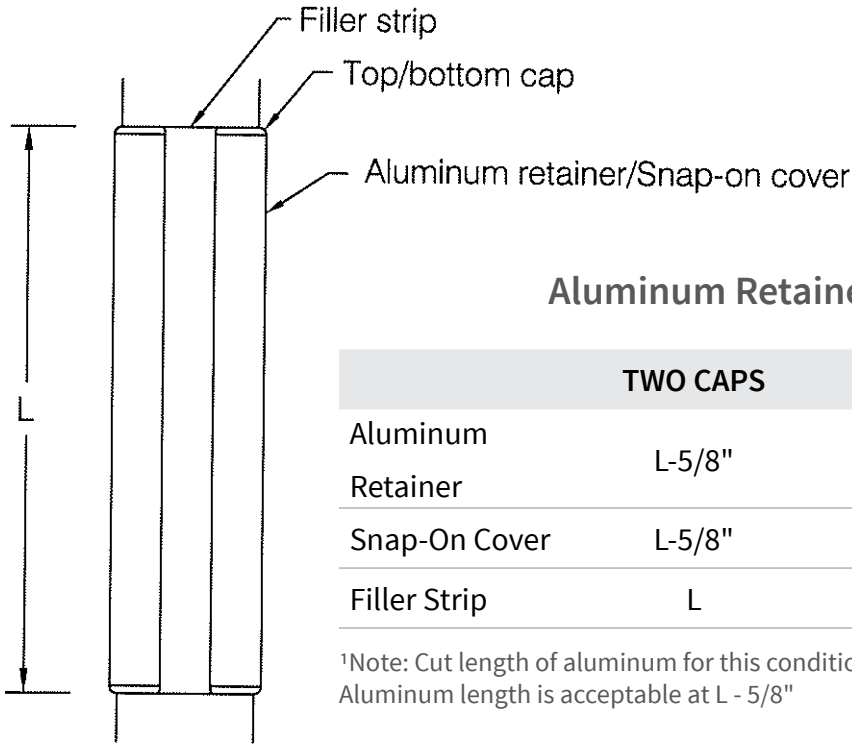


fig 3a

fig 3b

fig 3c

CUTTING ADJUSTMENT DIAGRAMS AND SCHEDULE

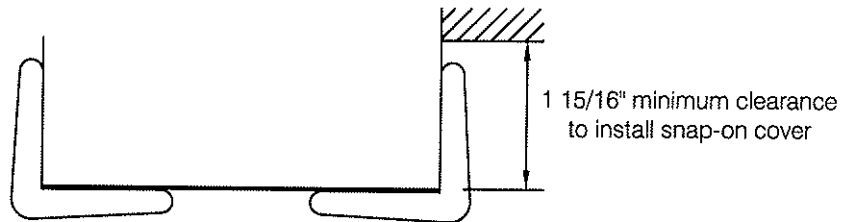


Aluminum Retainer & Vinyl Cover

	TWO CAPS	ONE CAP <sup>1</sup>	NO CAPS <sup>1</sup>
Aluminum Retainer	L-5/8"	L-5/16"	L-0"
Snap-On Cover	L-5/8"	L-5/16"	L-0"
Filler Strip	L	L	L

<sup>1</sup>Note: Cut length of aluminum for this condition may be less than cut length of cover. Aluminum length is acceptable at L - 5/8"

MINIMUM LAYOUT CONFIGURATIONS

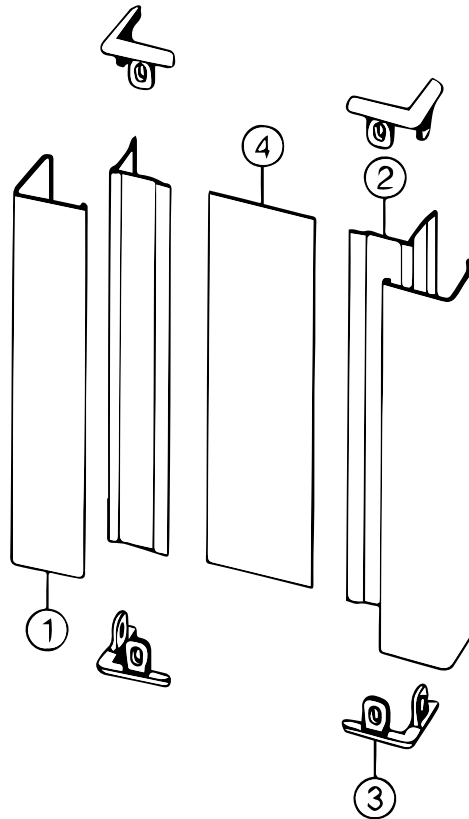




PARTS LIST

Part Number	Diagram #	Description
BCGVS2S-EW-CVR-P	1	SNAP ON COVER
BCGVS2S-EW-AR-P	2	ALUMINUM RETAINER
BCGVS2S-EW-EC-P	3	CLOSURE CAP
BCGVS2S-EW-FS-P	4	COLORED FILLER STRIP

When ordering, please specify color name. Current color charts are available on [www.babcockdavis.com](http://www.babcockdavis.com).



### MAINTENANCE

- Do not use ammonia based cleaner, powdered cleaners or bleach; they can leave a residue if not rinsed properly. Use a liquid cleaner, such as SoftScrub without bleach, Fantastic, 409, etc., on a sponge or a soft cloth; use a stiff bristle brush to remove heavy dirt from the textured surface if necessary. Always rinse with clean water and dry with a soft cloth.
- For heavy-duty cleaning (graffiti, etc.) use a stronger cleaning agent, such as “Crown Anti-Vandal Spray”, or the equivalent. Follow the same procedures noted above, always rinsing all areas thoroughly in clean water and drying completely.
- Do not use water with extremely high temperature and do not use steam to clean vinyl because it may cause blistering and/or warping.
- Do not use abrasive cleaners or other cleaning implements, such as steel wool or cleaning pads, as they may mark or gouge the material.
- To add luster and additional protection, you can apply a thin layer of a vinyl enhancer, such as Pledge.
- Please contact manufacturer for technical support questions and/or replacement parts such as repair kits.

### STANDARD WARRANTY

Babcock-Davis warrants all Wall and Door Protection to be free from manufacturing defects in materials, factory finishes and workmanship for a period of five (5) years from the date of shipment. Should a product fail to function in normal use within this period, Babcock-Davis shall furnish a replacement or new part at Babcock-Davis's discretion. Failure to use product in methods consistent with Babcock-Davis product manuals shall relieve Babcock-Davis of any liability. Our liability under this warranty excludes installation or removal costs involved in the product replacement and excludes any responsibility for incidental or consequential damage of any nature.

For warranty support and registration please visit  
[www.babcockdavis.com/support](http://www.babcockdavis.com/support)

FACTORY ASSISTANCE

Babcock-Davis engineers and manufactures Wall and Door Protection for worldwide customers. Our products are an integral part of commercial projects to prevent damage and safeguard your building investment. Recognized as an industry leader, Babcock-Davis has been relied upon by building and construction professions for over 100 years and we pride ourselves in offering exceptional technical support.

Please do not return any product before discussing your application problem with a Babcock-Davis representative and obtaining a Return Authorization.

Your Babcock-Davis representative is eager to help you. Please feel free to call your representative or contact Babcock-Davis to discuss your application.

Babcock-Davis  
9300 73rd Avenue North  
Brooklyn Park, MN 55428

Phone: 888.412.3726  
Fax: 888.312.3726  
Email: [info@BabcockDavis.com](mailto:info@BabcockDavis.com)



Visit [www.BabcockDavis.com](http://www.BabcockDavis.com) for the latest version  
of this document and more information.

Great Products.  
Better Partners.



9300 73RD AVENUE NORTH  
BROOKLYN PARK, MN 55428

(888) 412-3726  
(888) 312-3726 FAX

[WWW.BABCOCKDAVIS.COM](http://WWW.BABCOCKDAVIS.COM)