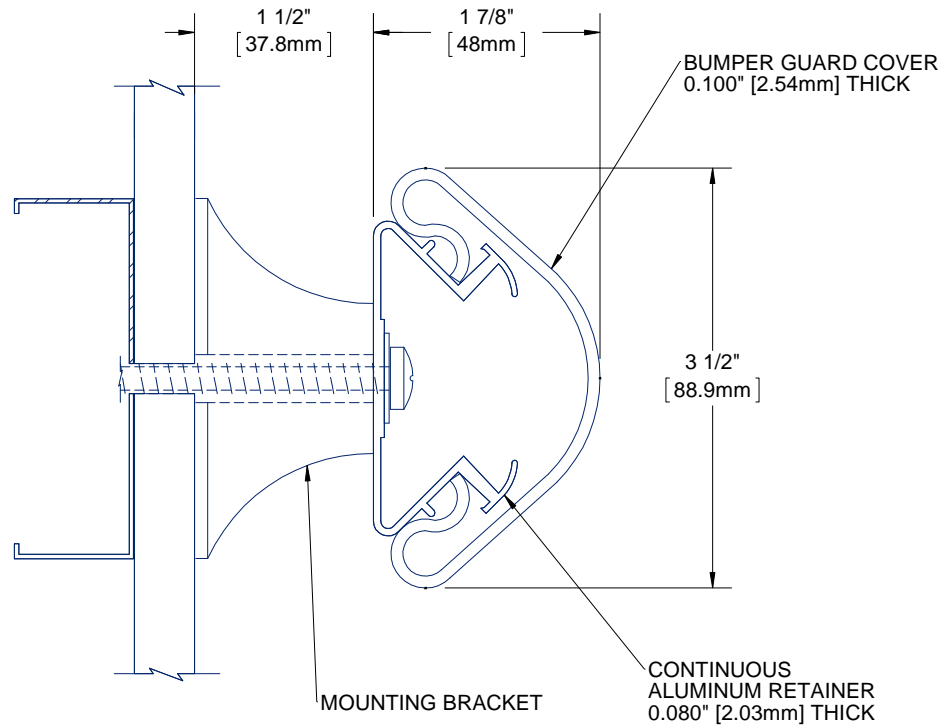


QUANTITY

COLOR



NOTES:

- PROFILE:** HIGH IMPACT VINYL ACRYLIC EXTRUSION LOCKED IN PLACE, NOMINAL 0.100" (2.54mm) THICK
- CLASS A FIRE RATING, TESTED TO ASTM E84
- RETAINER:** CONTINUOUS 6063 T-5 ALUMINUM RETAINER, NOMINAL 0.080" (2.03mm) THICK
- EXTRUSION:** PEBBLE GRAIN FINISH WHICH CONTAINS EPA REGISTERED MICRO-CHEK ANTIMICROBIAL AGENT
- VINYL BUMPER GUARD LENGTH:** PROVIDED IN 20' CONTINUOUS SECTIONS.
- END CAP: #BBGVS35C-EC, OUTSIDE CORNER: #BBGVS35C-OC, SPLICE KIT: #BBGVS35C-SK
- FASTENERS AND PARTITION COMPONENTS PROVIDED BY OTHERS.

PROJECT:			
ARCHITECT:			
CONTRACTOR:			
 9300 73rd Avenue North Brooklyn Park, MN 55428		TITLE: 3-1/2" BUMPER GUARD EXTENDED MOUNT 1-1/2" BRACKET, CONTINUOUS RETAINER	
NAME	DATE	SIZE	DWG. NO.
DRAWN MDS	26APR13	A	BBGVE35C-B15
RELEASED	PGE	01MAY13	WEIGHT: 1.15 lbs/ft
			REV A
			SHEET 1 OF 1

PROPRIETARY AND CONFIDENTIAL: THE INFORMATION CONTAINED IN THIS DRAWING IS THE SOLE PROPERTY OF BABCOCK-DAVIS. ANY REPRODUCTION IN PART OR AS A WHOLE WITHOUT THE WRITTEN PERMISSION OF BABCOCK-DAVIS IS PROHIBITED.