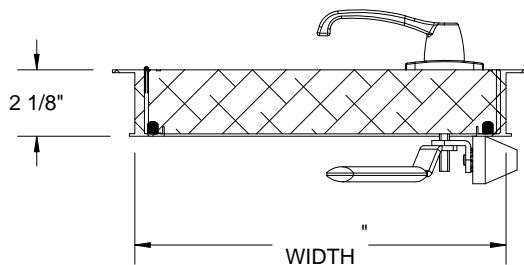
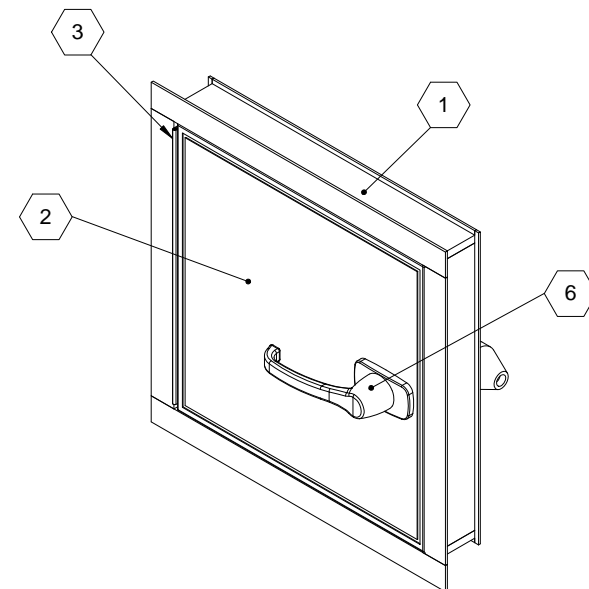


SECTION A-A



SECTION B-B

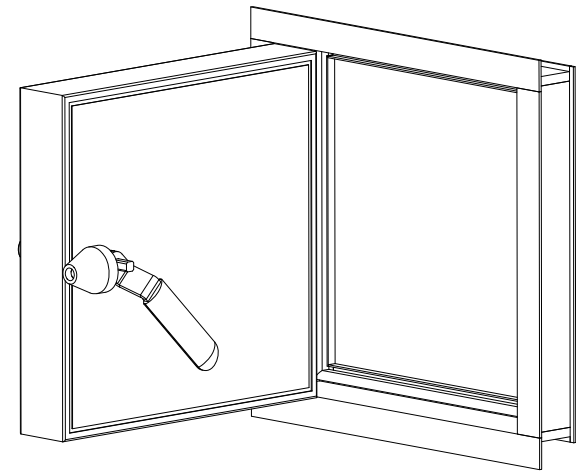
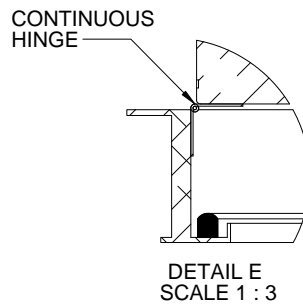
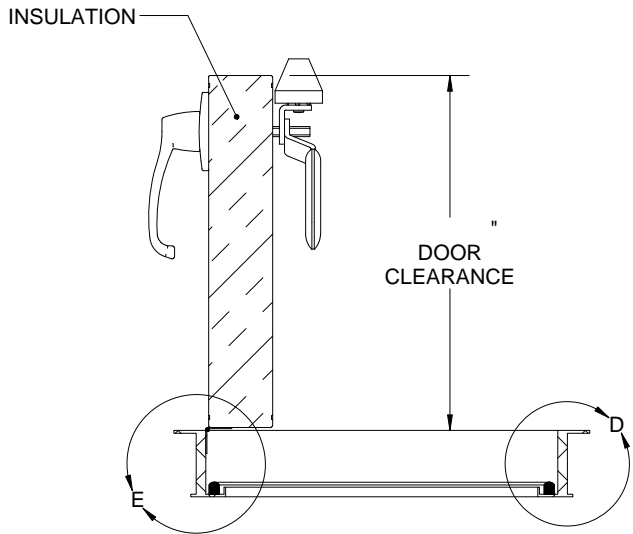
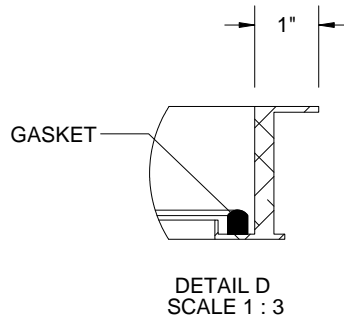
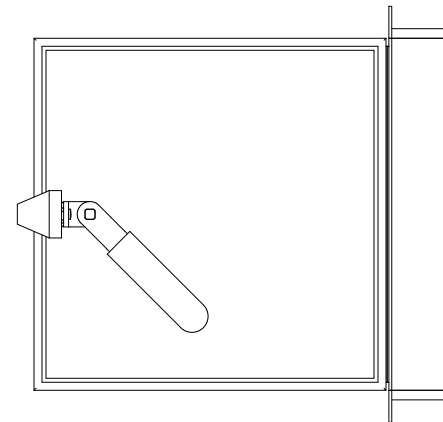
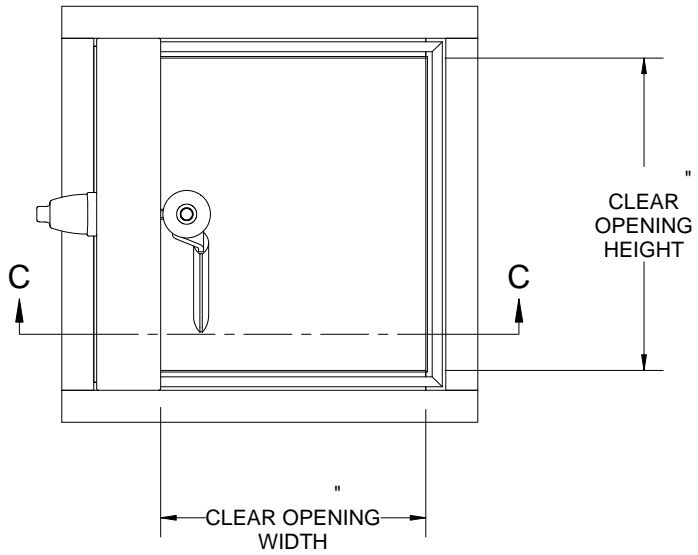
ROUGH OPENING: " X "  
 CLEAR OPENING: " X "  
 DEGREE OF OPENING: "  
 # LATCHING POINTS: "


NOTES:

- ① **FRAME:** 6063-T5 Ext Aluminum, Mill Finish
- ② **DOOR:**
- ③ **HINGE:**
- ④ **GASKET:** EPDM Self-Adhesive, Continuous Four Sides
- ⑤ **INSULATION:** Foam Insulation, 2-1/4lb Density, 12 R-Value
- ⑥ **LATCH:** Non-Locking Handle w Interior Handle
- ⑦ **LOCK:** No Lock w Interior Handle

**FLORIDA PRODUCT APPROVAL  
 NUMBER FL22309**

PROJECT:				
ARCHITECT:				
CONTRACTOR:				
QTY:				
PART#:				
<b>babcockdavis®</b> 9300 73rd Avenue North, Brooklyn Park, MN 55428	TITLE:			
NAME	DATE	SIZE	DWG. NO.	REV
DRAWN		A		A
RELEASED			WEIGHT: VARIES	SHEET 1 OF 2



PART#:			TITLE:		
 9300 73rd Avenue North, Brooklyn Park, MN 55428			DWG. NO.		REV
			NAME	DATE	SIZE
DRAWN			WEIGHT: VARIES		A
RELEASED					SHEET 2 OF 2